



YETDA INDUSTRY LTD.

5mm Blinking (Red、Green、Blue) LED Lamps B518RGB7F-SL

5mm with FLASH IC、Red、Pure Green and Blue dice。

Encapsulated with Milky package。

Long Leads。

Absolute Maximum Ratings :

| Parameter | Maximum Rating | Unit |
|-----------------------------|--|------|
| Peak Forward Current | 120 | mA |
| Continuous Forward Current | 30 | mA |
| Operating Temperature Range | -30°C to +85°C | |
| Storage Temperature Range | -40°C to +100°C | |
| Lead Soldering Temperature | 260°C for 3 seconds 1.6mm(0.063 inch) from body | |

Electro-Optical Characteristics (Ta = 25°C)

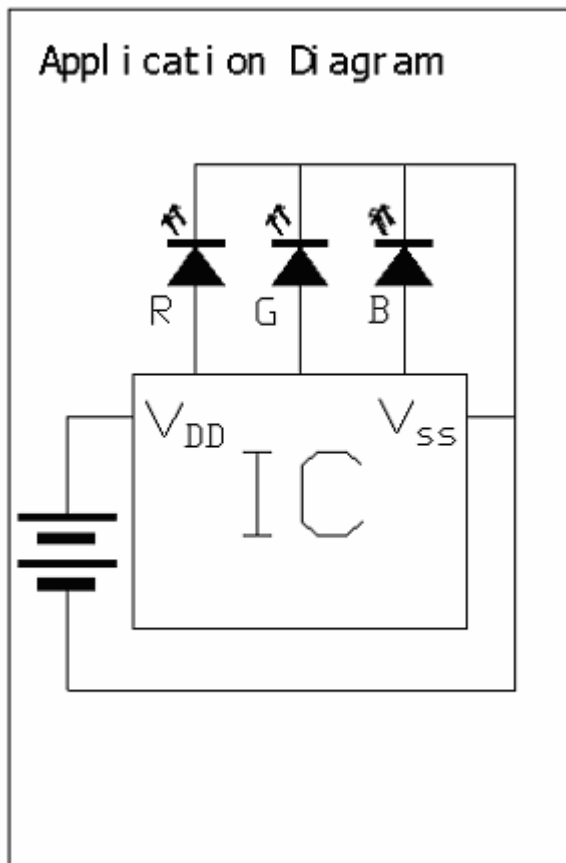
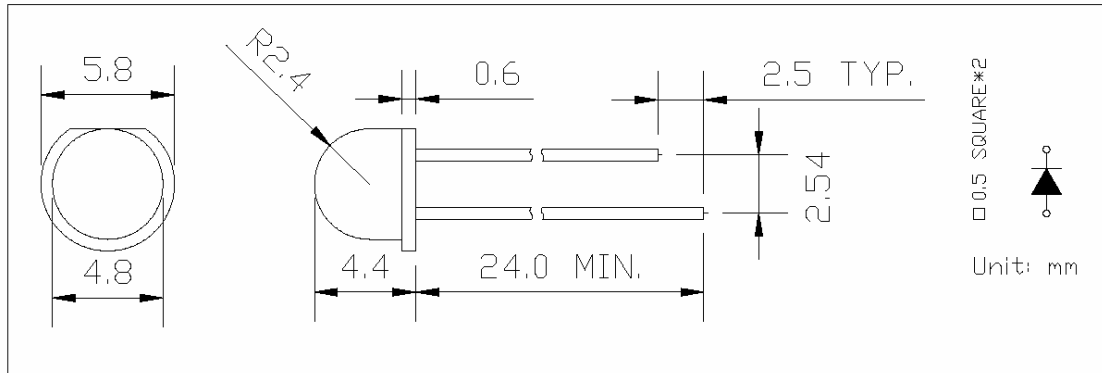
| Parameter Radiant | Test Condition | Symbol | Min. | Typ. | Max. | Unit | |
|--------------------|----------------|------------------|------|------|------|------|----|
| Forward Voltage | If = 20mA | R | | 2.0 | 2.25 | V | |
| | | G | | 3.2 | 3.5 | | |
| | | B | | 3.2 | 3.5 | | |
| Reverse Current | Vr = 5V | Ir | | | 10 | uA | |
| Luminous Intensity | If = 20mA | R | | 50 | | mcd | |
| | | G | | 80 | | | |
| | | B | | 100 | | | |
| Spectral Bandwidth | If = 20mA | $\Delta\lambda$ | | | | nm | |
| Wavelength | If = 20mA | λ_p | R | | 620 | 625 | nm |
| | | | G | | 520 | 525 | |
| | | | B | | 465 | 470 | |
| | | λ_d | | | | nm | |
| Half View Angle | If = 20mA | 2 $\theta_{1/2}$ | | 142 | | deg | |



YETDA INDUSTRY LTD.

Application diagram or Dimensions

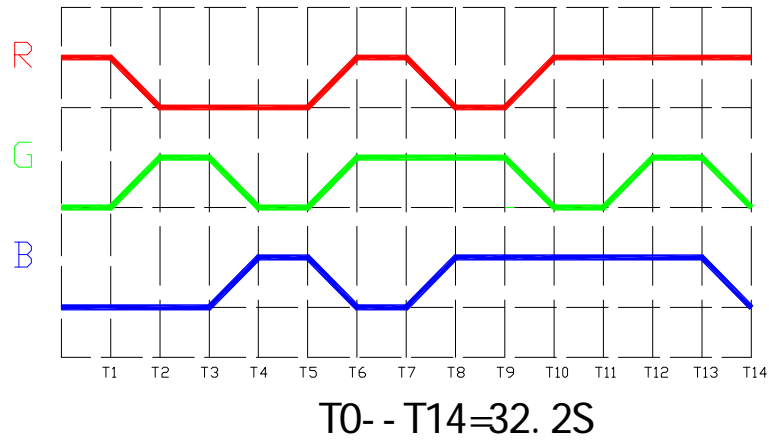
Item: 518





YETDA INDUSTRY LTD.

Flash Picture



13JUL20S