



YETDA INDUSTRY LTD.

Technical Data Sheet

MODEL NO : 175UR/ANG4

0807Package 2.0*1.8mm Chip LEDs

Features :

- Package in 8mm tape on 7 " diameter reel
- Compatible with automatic placement equipment
- Compatible with reflow solder process

Applications :

- Indicators
- Automotive : backlighting in dashboard and switch
- Backlight for LCD

Dice material	Emitted color	Lens Color
AlGaInP	Red	Water Clear
GaN	Pure Green	

Electrical/Optical Characteristics(Ta=25)

Parameter	Test Condition	Symbol	Value			Unit
			Min	Typ	Max	
Wavelength at peak emission	If=20mA	peak	R	630		nm
			G	530		
Spectral half bandwidth	If=20mA		R	20		nm
			G	35		
Dominant wavelength	If=20mA	dom	R	624		nm
			G	525		
Forward voltage	If=20mA	Vf	R	2.0	2.4	V
			G	3.2	3.8	
Luminous intensity	If=20mA	lv	R	80	120	mcd
			G		380	
Viewing angle at 50% Iv	If=10mA	2 1/2		120		Deg
Reverse current	Vr=5V	Ir			10	μA

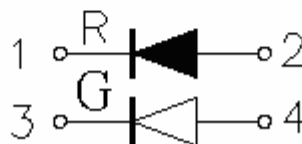
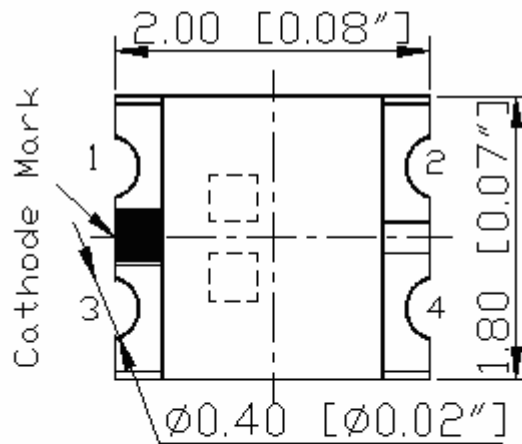
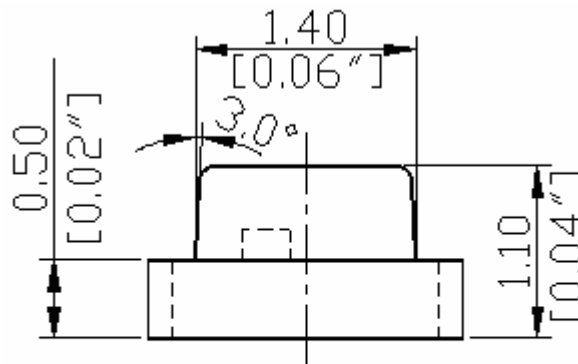


YETDA INDUSTRY LTD.

Absolute Maximum Ratings($T_a=25$)

Parameter	Symbol	Value	Unit
Power dissipation	P_d	75	mW
Forward current	I_f	30	mA
Reverse voltage	V_r	5	V
Operating temperature range	T_{op}	-30 ~+85	
Storage temperature range	T_{stg}	-40 ~+85	
Peak pulsing current (1/8 duty $f=1$ kHz)	I_{fp}	100	mA

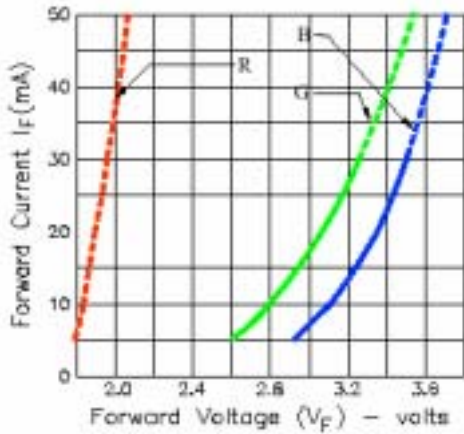
PACKAGING DIMENSIONS (mm):



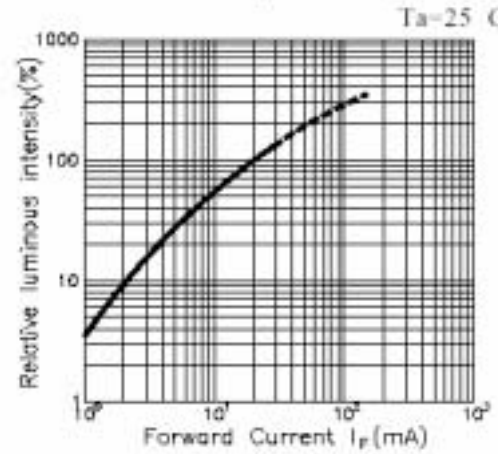


YETDA INDUSTRY LTD.

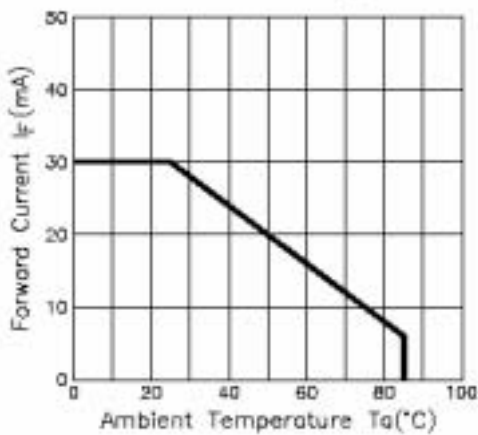
Forward Current Vs. Forward Voltage



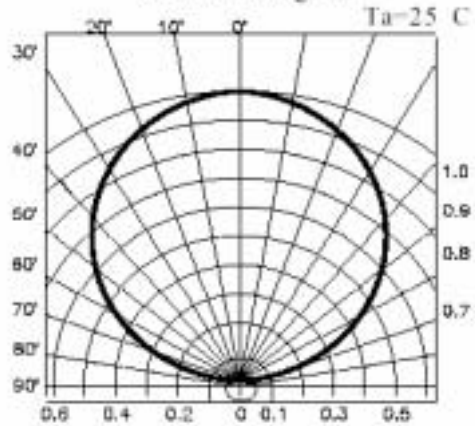
Luminous Intensity Vs. Forward Current



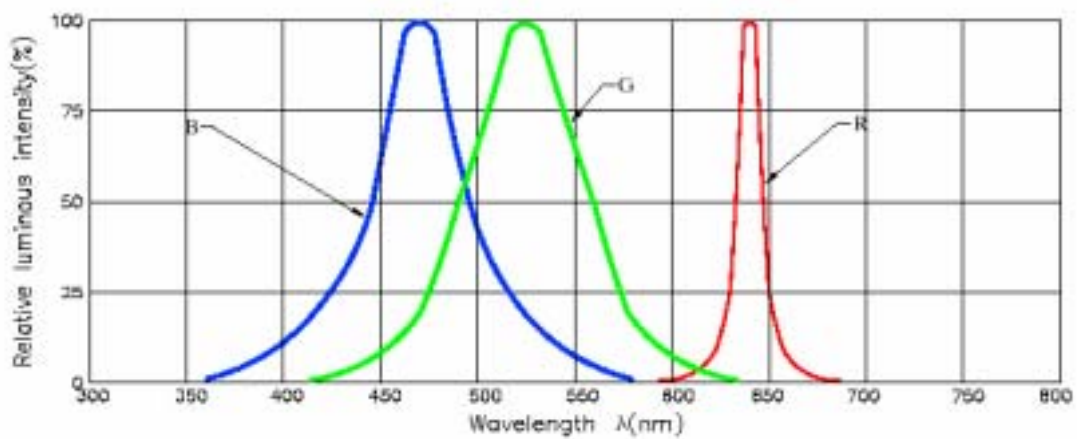
Forward Current Derating Curve



Radiation Diagram



Spectrum Distribution





YETDA INDUSTRY LTD.

PACKAGING SPECIFICATIONS

Feeding Direction	Dimensions of Reel (Unit: mm)

Dimensions of Tape (Unit: mm)

Arrangement of Tape

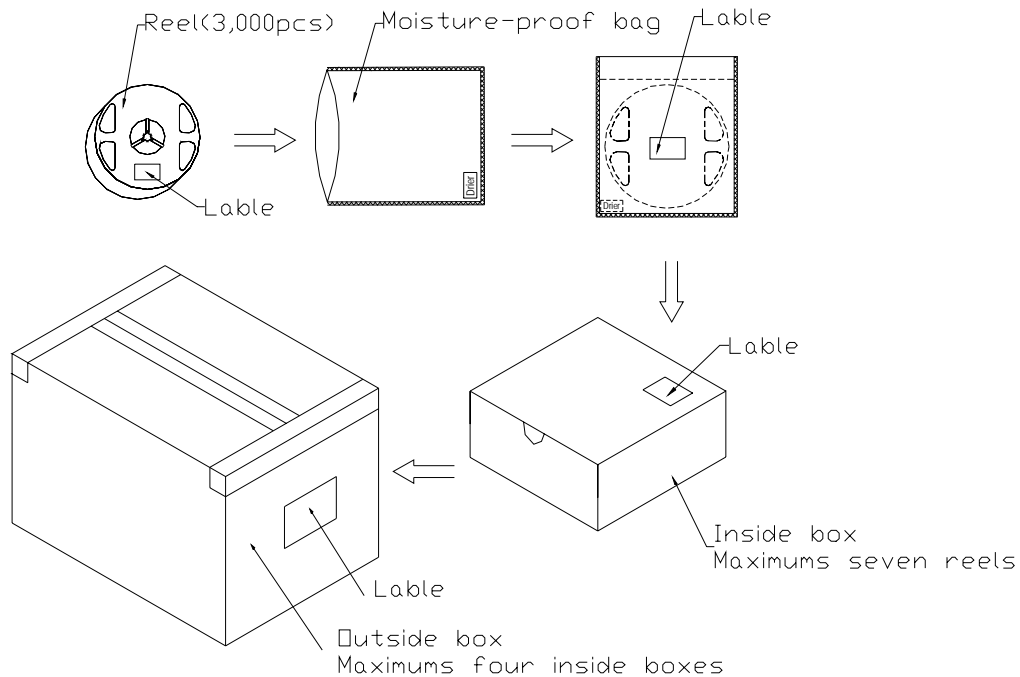
NOTES
<ol style="list-style-type: none"> 1. Empty component pockets are sealed with top cover tape; 2. The maximum number of missing lamps is two; 3. The polarity mark is oriented towards the tape sprocket hole ; 4. 3,000pcs/Reel.



YETDA INDUSTRY LTD.

PACKAGING SPECIFICATIONS

Packaging specifications



NOTES:

Reeled products (numbers of products are 3,000pcs) packed in a seal off moisture-proof bag along with a desiccant one by one, Seven moisture-proof bag of maximums (total maximum number of products are 21,000pcs) packed in an inside box (size: about 283mm x about 194mm x about 102mm) and four inside boxes of maximums are put in the outside box (size: about 410mm x about 254mm x about 229mm) Together with buffer material, and it is packed. (Part No., Lot No., quantity should appear on the label on the moisture-proof bag, part No. And quantity should appear on the label on the cardboard box.) The number of the loading steps of outside box (cardboard box) has it to three steps.



YETDA INDUSTRY LTD.

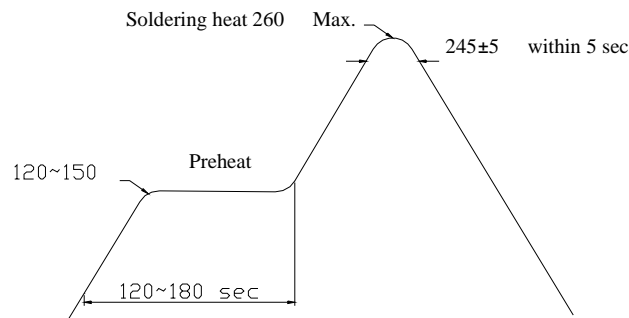
Descriptions :

The Chip-LED Taping is much smaller than lead frame type components, thus enable smaller board size, higher packing density, reduced storage space and finally smaller equipment to be obtained.

Besides, lightweight makes them ideal for miniature application, etc.

Soldering heat reliability (DIP) :

Please refer to the following figure :



Precautions For Use :

Over – current – proof

Customer must apply resistors for protection, otherwise slight voltage shift will cause big current change (Burn out will happen)

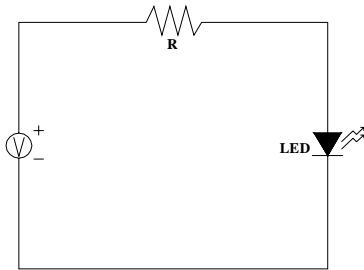
Storage

1. The operation of temperature and R.H. are : 5 30 , 60%R.H. Max.
2. Once the package is opened, the products should be used within a week. Otherwise, they should be kept in a dampproof box with desiccating regent. Considering the tape life, we suggest our customers to use our products within 1.5 year (from production date) .
3. It's recommended to bake before soldering when the package is unsealed after 72 hrs. The condition is : 60 ±5 for 15hrs.

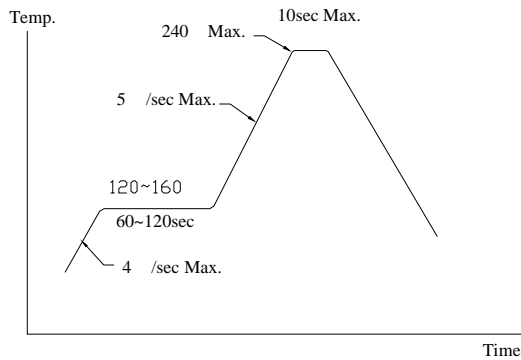


YETDA INDUSTRY LTD.

Test Circuit



Reflow Temp. / Time :



Reliability Test Items And Conditions

The reliability of products shall be satisfied with items listed below.

No.	Items	Test Condition	Test Hours/Cycles	Sample Size
1	Solder Heat	TEMP : 260 ±5	5 sec	48 pcs
2	Temperature Cycle	90 ~ 25 ~ -30 ~ 25 30m 5m 30m 5m	300Cycles	48 Pcs
3	Thermal Shick	100 ~ -55 10m 10m	100Cycles	48 Pcs
4	Operation Life	If=20mA	1000 Hrs	48 Pcs
5	High Temperature Storage	Temp:90	1000Hrs	48 Pcs
6	Low Temperature Storage	Temp:-30	1000Hrs	48 Pcs
7	High Temperature/High Humidity	80 / R.H80%	1000Hrs	48 Pcs