



YETDA INDUSTRY LTD.

Technical Data Sheet

MODEL NO : 2T0402XX

PLCC 5050 High Power Series Datasheet

Features :

- High luminous Intensity and high efficiency
- Based on Blue : InGaN technology
- QTY: 1000 PCS PER REEL
- ANSI Compliant color binning

Applications :

- Indicators
- Automotive : backlighting in dashboard and switch

Part Number	Voltage (V _F)	Color	Value
2T0402WW13	9V	Warm Whit (WW)	2800K
2T0402NW08	9V	Neutral White (NW)	4000K
2T0402CW12	9V	Cool White (CW)	6500K
2T0402WW14	60V	Warm Whit (WW)	2800K
2T0402NW09	60V	Neutral White (NW)	4000K
2T0402CW13	60V	Cool White (CW)	6500K

Absolute Maximum Ratings(T_a=25°C)

Parameter	Symbol	Value	Unit
Forward current (9V) (60V)	I _f	200 30	mA
Pulse Forward Current (t _p ≤100μs, Duty cycle=0.25) (9V) (60V)	I _{pulse}	300 90	mA
Reverse Current	I _R	10	uA
Reverse voltage	V _r	2	V
Operating temperature range	T _{op}	-40 ~+80	°C
Storage temperature range	T _{stg}	-40 ~+85	°C
Soldering Temperature	T _s	Reflow Soldering : 255~260°C/10~30sec Manual Soldering : 350°C/3sec	

13NOV13W



YETDA INDUSTRY LTD.

Luminous Flux Characteristic

Luminous Flux Characteristics, $I_f=200\text{mA}$ and $T_j=25^\circ\text{C}$

Voltage (V _F)	Color	Group	Min. Luminous Flux(lm)	Max. Luminous Flux(lm)	Forward Current(mA)
9V	Warm Whit	W1	160	180	200
		W2	180	200	
		W3	200	220	
	Neutral White	W2	180	200	
		W3	200	220	
	Cool White	W3	200	220	
X1		220	240		

Voltage (V _F)	Color	Group	Min. Luminous Flux(lm)	Max. Luminous Flux(lm)	Forward Current(mA)
60V	Warm Whit	W1	160	180	30
		W2	180	200	
		W3	200	220	
	Neutral White	W2	180	200	
		W3	200	220	
	Cool White	W3	200	220	
X1		220	240		

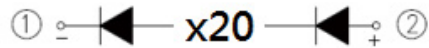
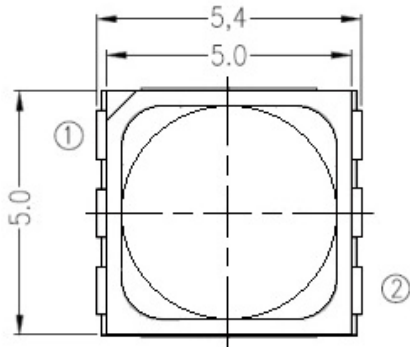
Voltage Bin Structure

Voltage (V _F)	Group	Min. Voltage (V)	Max. Voltage (V)
9V	V9A	9.0	9.5
	V9B	9.5	10
60V	V58	56	58
	V60	58	60
	V62	60	62

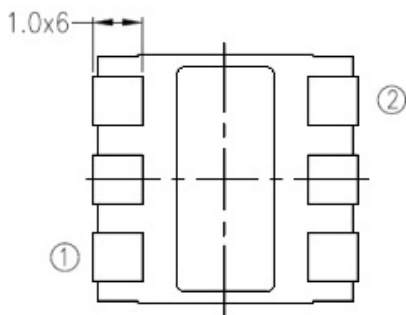
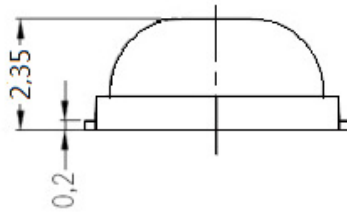


PACKAGING DIMENSIONS

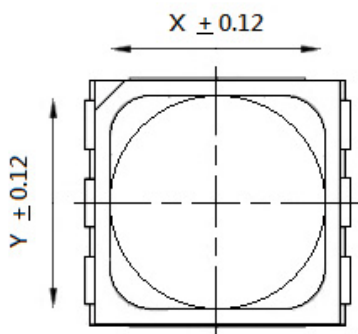
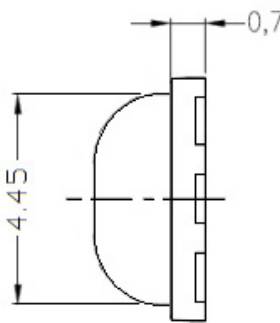
(9V Emitter Type Dimension)



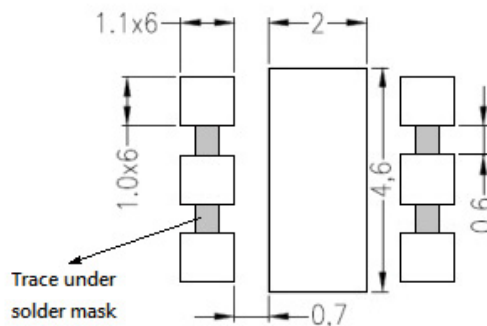
Polarity Illustration



Bot view



Center offset tolerances



Trace under solder mask

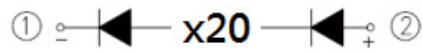
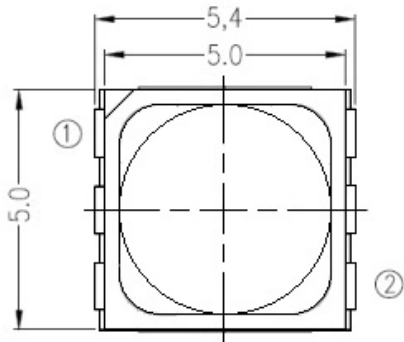
Notes:

1. Dimensions are in millimeters.
2. Tolerances for fixed dimensions are ± 0.1 mm.
3. Polar illustration is the only symbol for circuit for design

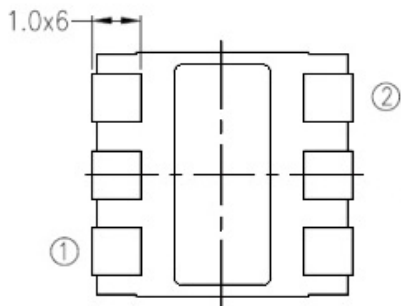
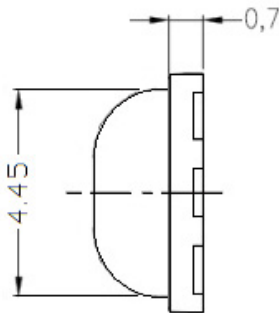
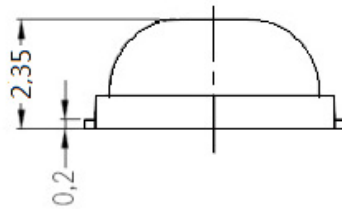


YETDA INDUSTRY LTD.

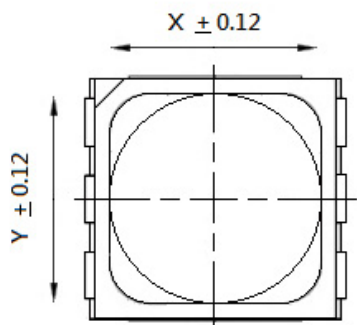
60V Emitter Type Dimension



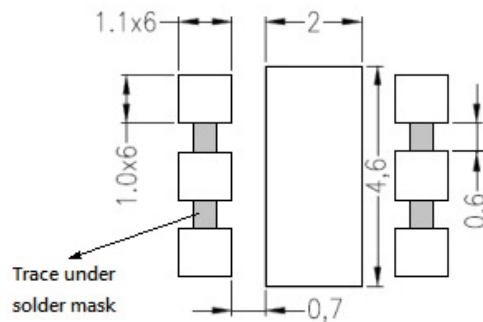
Polarity Illustration



Bot view



Center offset tolerances



Notes:

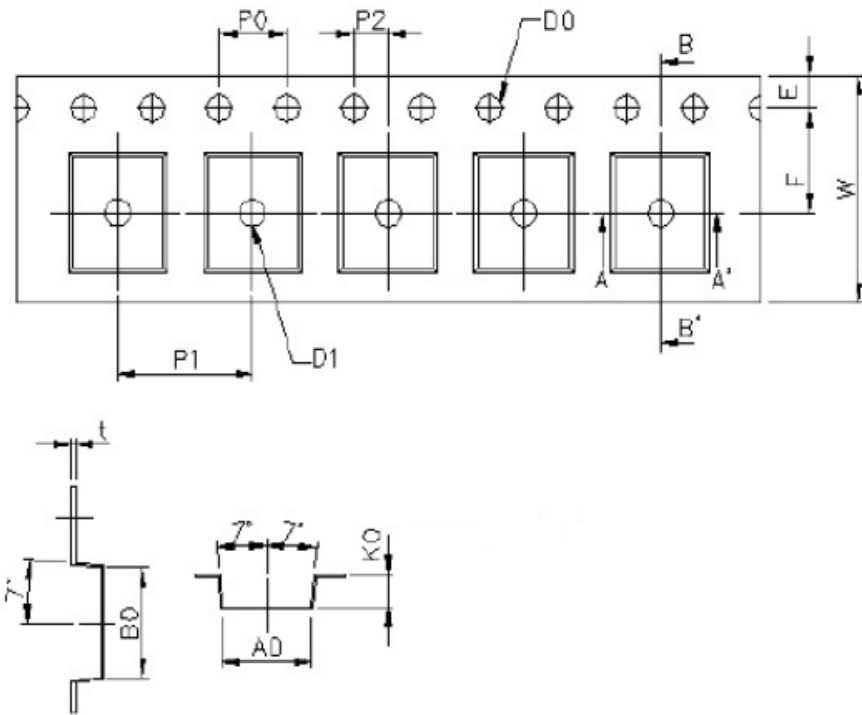
1. Dimensions are in millimeters.
2. Tolerances for fixed dimensions are ± 0.1 mm.
3. Polar illustration is the only symbol for circuit for design



YETDA INDUSTRY LTD.

PACKAGING SPECIFICATIONS

Carrier Tape Dimensions: Loaded quantity type 1000 PCS per reel



Item	Specification	Tol (+/-)
W	12	±0.20
E	1.75	±0.10
F	5.5	±0.05
D0	1.5	+0.10, -0
D1	1.5	±0.10
P0	4	±0.05
P1	8	±0.10
P2	2	±0.1
POX10	40	±0.20
t	0.25	±0.05
A0	5.3	±0.10
B0	5.7	±0.10
K0	1.8	±0.10

Reel Specification(1000pcs type)

