



YETDA INDUSTRY LTD.

0.4" DUAL DIGIT WHITE LED DISPLAY

D-4021AW11

DESCRIPTION

- * 0.4" (10.20mm) Inch Digit Height.
- * Ultra Bright White Display.
- * Black Face and White Segment Color.
- * Common Cathode.

ABSOLUT MAXIMUM RATINGS AT Ta=25°C

| Parameter | | UNIT |
|-------------------------------|---|------|
| Power Dissipation Per Seg. | 40 | mW |
| Peak Forward Current Per Seg. | 120 | mA |
| Forward current Per Seg. | 30 | mA |
| Reverse Voltage Per Seg. | 5 | V |
| Operation Temperature Range | -25°C TO +80°C | °C |
| Storage Temperature Range | -25°C TO +100°C | °C |
| Lead Soldering Temperature | 260 for 3 seconds 1.6mm(1/16 inch) from body | |

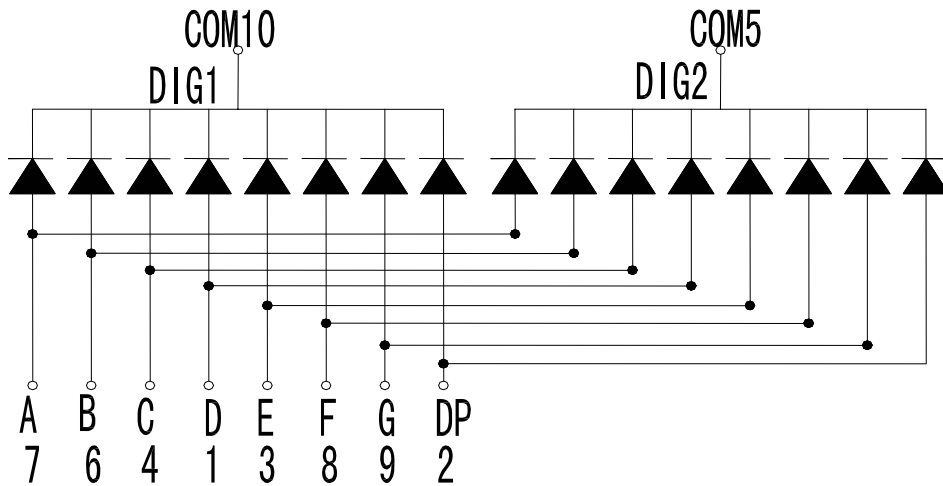
ELECTRICAL/OPTOTICAL CHARACTERISTIC AT Ta=25°C

| PARAMETER | SYMBOL | MIN. | TYP. | MAX. | UNIT | CONDITION |
|-----------------------------------|--------|------|------|-------|------|-----------|
| Average Luminous Intensity | Iv | 60 | 75 | | mcd | If=20mA |
| Chromaticity Coordinate | X | | 0.29 | | | If=20mA |
| Chromaticity Coordinate | y | | 0.30 | | | If=20mA |
| Forward Voltage Per Seg. & Dot | Vf | | 3.2 | 3.8 | V | If=20mA |
| Reverse Current Per Seg. & Dot | Ir | | | 10 | uA | Vr=5V |
| Luminous Intensity Matching Ratio | Iv-m | | | 2 : 1 | | If=20mA |

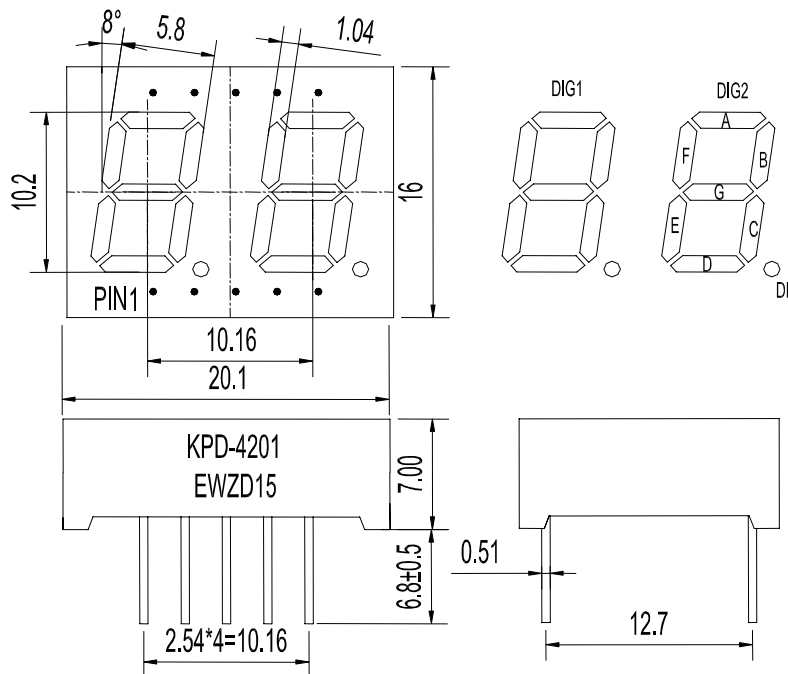


YETDA INDUSTRY LTD.

P.C.B. Pin Connection



Reflector Dimensions



Unit:mm