



YETDA INDUSTRY LTD.

0.56" DUAL DIGIT RED+GREEN LED DISPLAY

D-5621BUFGF11

DESCRIPTION

- * 0.56" (14.20mm) Inch Digit Height.
- * Super Bright Red And Super Bright Green Display.
- * Black Face and White Segment Color.
- * Common Cathode.

ABSOLUT MAXIMUM RATINGS AT Ta=25°C

Parameter		UNIT
Power Dissipation Per Seg.	50	mW
Peak Forward Current Per Seg.	80	mA
Forward current Per Seg.	20	mA
Reverse Voltage Per Seg.	5	V
Operation Temperature Range	-25°C TO +80°C	°C
Storage Temperature Range	-25°C TO +100°C	°C
Lead Soldering Temperature	260°C for 3 seconds 1.6mm(1/16 inch) from body	

RED ELECTRICAL/OPTOTICAL CHARACTERISTIC AT Ta=25°C

PARAMETER	SYMBOL	MIN.	TYP.	MAX.	UNIT	CONDITION
Average Luminous Intensity	Iv	50		70	mcd	If=20mA
Emission Wavelength	λd	629		635	nm	If=20mA
Forward Voltage Per Seg.	Vf	1.8	2.0	2.5	V	If=20mA
Reverse Current Per Seg.	Ir			50	uA	Vr=5V
Luminous Intensity Matching Ratio	Iv-m			2 : 1		If=20mA

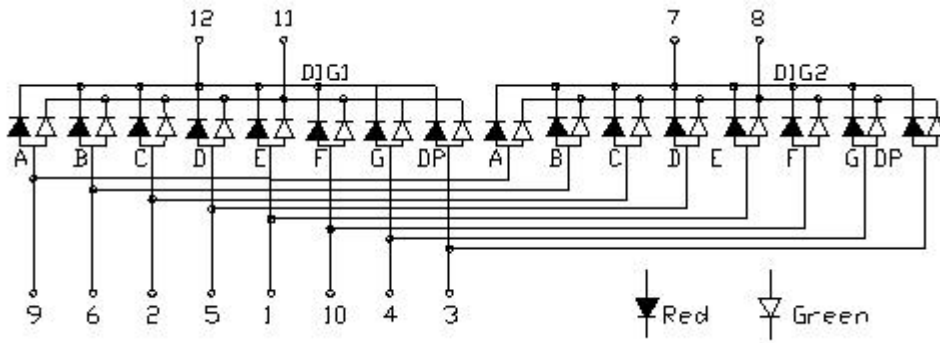
GREEN ELECTRICAL/OPTOTICAL CHARACTERISTIC AT Ta=25°C

PARAMETER	SYMBOL	MIN.	TYP.	MAX.	UNIT	CONDITION
Average Luminous Intensity	Iv	40		50	mcd	If=20mA
Emission Wavelength	λd	570		573	nm	If=20mA
Forward Voltage Per Seg.	Vf	1.8	2.0	2.5	V	If=20mA
Reverse Current Per Seg.	Ir			50	uA	Vr=5V
Luminous Intensity Matching Ratio	Iv-m			2 : 1		If=20mA

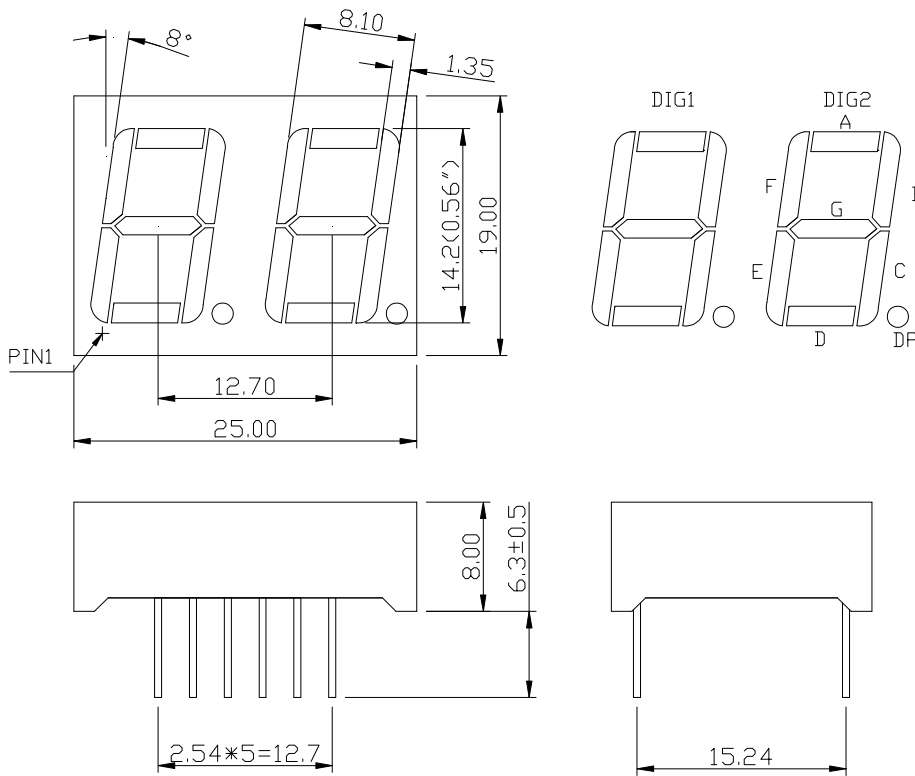


YETDA INDUSTRY LTD.

P.C.B. Pin Connection



Reflector Dimensions



Unit:mm