



# YETDA INDUSTRY LTD.

## 0.56" DUAL DIGIT WHITE LED DISPLAY

### D-5622BW11

#### DESCRIPTION

- \* 0.56" (14.20mm) Inch Digit Height.
- \* White Display.
- \* Black Face and White Segment Color.
- \* Common Anode.

#### ABSOLUT MAXIMUM RATINGS AT Ta=25°C

Parameter		UNIT
Power Dissipation Per Seg. & Dot	40	mW
Peak Forward Current Per Seg. & Dot	120	mA
Forward current Per Seg. & Dot (Static)	30	mA
Reverse Voltage Per Seg. & Dot	5	V
Operation Temperature Range	-25°C TO +80°C	°C
Storage Temperature Range	-25°C TO +100°C	°C
Lead Soldering Temperature	260°C for 3 seconds 1.6mm(1/16 inch) from body	

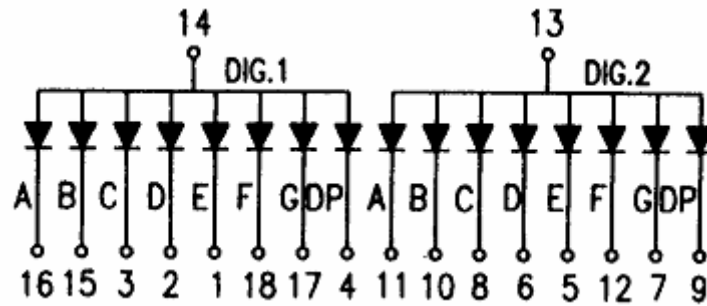
#### ELECTRICAL/OPTOTICAL CHARACTERISTIC AT Ta=25°C

PARAMETER	SYMBOL	MIN.	TYP.	MAX.	UNIT	CONDITION
Average Luminous Intensity	Iv	60	75		mcd	If=20mA
Chromaticity Coordinate	X		0.29			If=20mA
Chromaticity Coordinate	y		0.30			If=20mA
Forward Voltage Per Seg. & Dot	Vf		3.2	3.8	V	If=20mA
Reverse Current Per Seg. & Dot	Ir			10	uA	Vr=5V
Luminous Intensity Matching Ratio	Iv-m		2 : 1			If=20mA

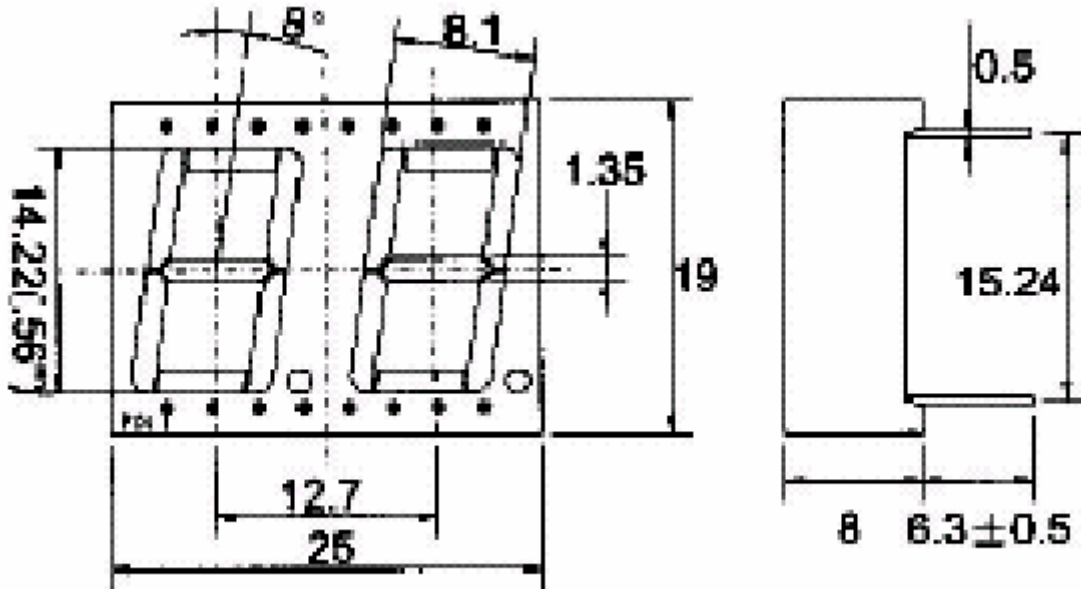


YETDA INDUSTRY LTD.

### P.C.B. Pin Connection



### Reflector Dimensions



Unit:mm