



YETDA INDUSTRY LTD.

0.56" DUAL DIGIT BLUE LED DISPLAY

D-5625BB11

DESCRIPTION

- * 0.56" (14.20mm) Inch Digit Height.
- * Ultra Bright Blue Display.
- * Black Face and White Segment Color.
- * Common Cathode.

ABSOLUT MAXIMUM RATINGS AT Ta=25°C

Parameter		UNIT
Power Dissipation Per Seg.	40	mW
Peak Forward Current Per Seg.	120	mA
Forward current Per Seg.	30	mA
Reverse Voltage Per Seg.	5	V
Operation Temperature Range	-25°C TO +80°C	°C
Storage Temperature Range	-25°C TO +100°C	°C
Lead Soldering Temperature	260°C for 3 seconds 1.6mm(1/16 inch) from body	

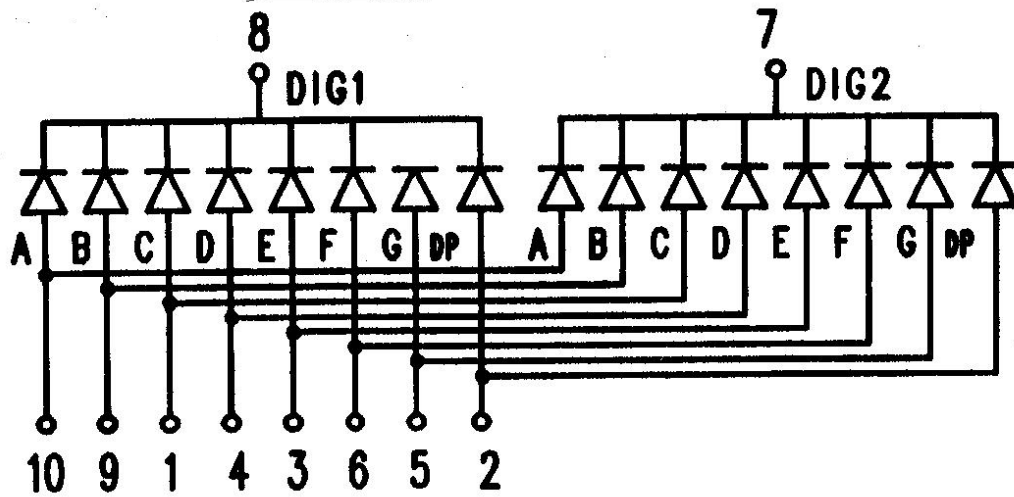
ELECTRICAL/OPTOTICAL CHARACTERISTIC AT Ta=25°C

PARAMETER	SYMBOL	MIN.	TYP.	MAX.	UNIT	CONDITION
Average Luminous Intensity	I _v	35	45		mcd	I _F =20mA
Emission Wavelength	λ _D		470		nm	I _F =20mA
Forward Voltage Per Seg.	V _F		3.2	3.8	V	I _F =20mA
Reverse Current Per Seg.	I _R			10	uA	V _R =5V
Luminous Intensity Matching Ratio	I _v -m		2 : 1			I _F =20mA

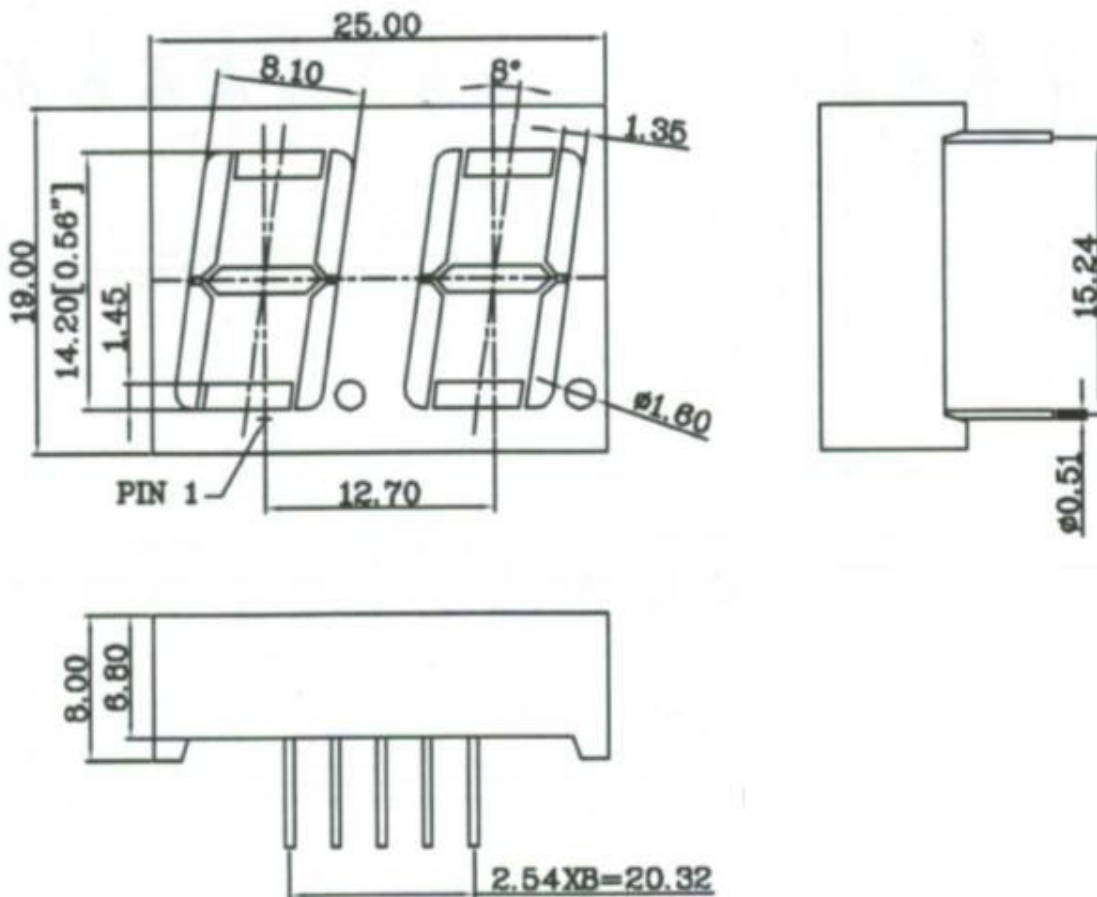


YETDA INDUSTRY LTD.

P.C.B. Pin Connection



Reflector Dimensions



Unit:mm