



YETDA INDUSTRY LTD.

63.8*41mm RED SUPER BRIGHT ARROW DISPLAY

DI-6441UF21-CA

DESCRIPTION

- * 63.8*41 mm Arrow Display.
- * Super Bright Red Light.
- * Grey Face and White Segment Color.
- * Common Anode.

ABSOLUT MAXIMUM RATINGS AT Ta=25°C

Parameter		UNIT
Power Dissipation Per Segment	40	mW
Peak Forward Current Per Segment	120	mA
Forward current Per Segment (Static)	30	mA
Reverse Voltage Per Segment	5	V
Operation Temperature Range	-25°C TO +80°C	°C
Storage Temperature Range	-25°C TO +100°C	°C
Lead Soldering Temperature	260°C for 3 seconds 1.6mm(1/16 inch) from body	

ELECTRICAL/OPTOTICAL CHARACTERISTIC AT Ta=25°C

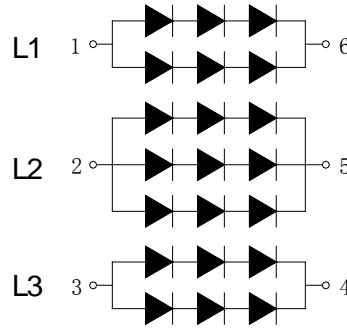
ELECTRICAL/OPTOTICAL CHARACTERISTIC AT Ta=25°C

PARAMETER	SYMBOL	MIN.	TYP.	MAX.	UNIT	CONDITION
Average Luminous Intensity	Iv	50	60		mcd	If=20mA
Emission Wavelength	λ d		625		nm	If=20mA
Forward Voltage Per Seg.	Vf	5	6	7	V	If=20mA
Reverse Current Per Seg.	Ir			50	uA	Vr=5V
Luminous Intensity Matching Ratio	Iv-m	2 : 1				If=20mA

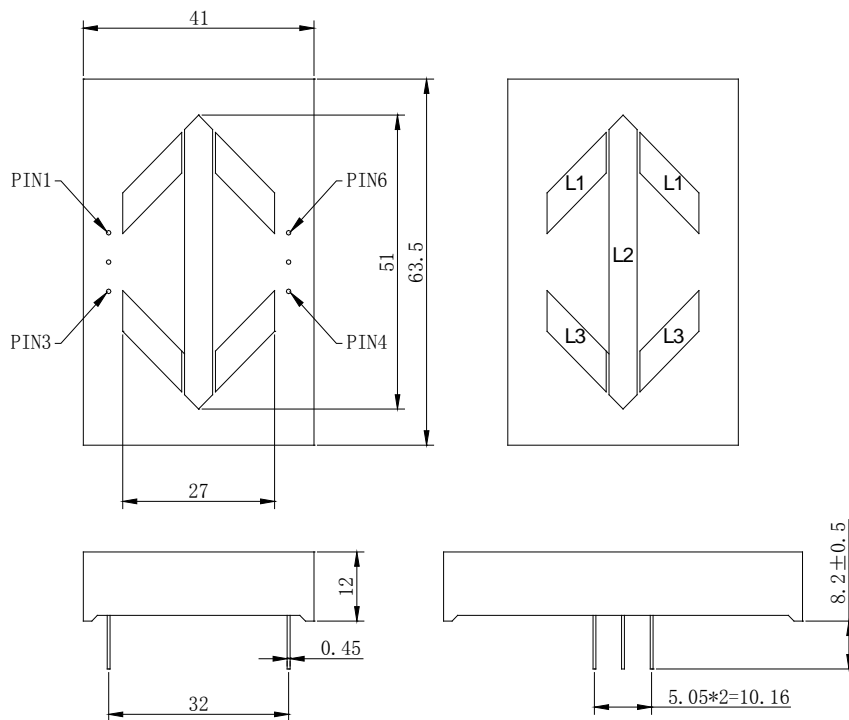


YETDA INDUSTRY LTD.

P.C.B. Pin Connection



Reflector Dimensions



Unit:mm