



YETDA INDUSTRY LTD.

5mm Infrared LED Lamps I500LOC5D

- 5 mm with Infrared dice ◦
- Encapsulated with Black Lens package ◦
- * Long leads ◦

Absolute Maximum Ratings :

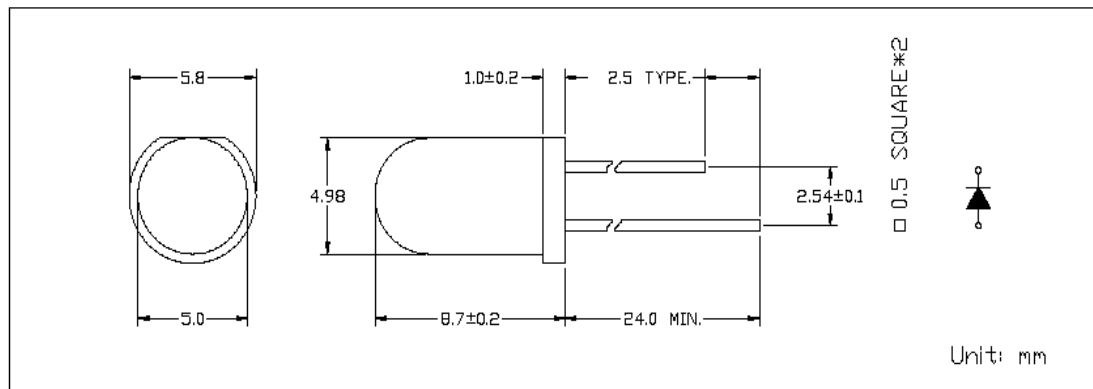
Parameter	Maximum Rating	Unit
Peak Forward Current	120	mA
Continuous Forward Current	30	mA
Operating Temperature Range	-20°C to + 75°C	
Storage Temperature Range	-40°C + 100°C	
Lead Soldering Temperature	260°C for 3 seconds 1.6mm(0.063 inch) from body	

Electro-Optical Characteristics (Ta = 25°C)

Parameter Radiant	Test Condition	Symbol	Min.	Typ.	Max.	Unit
Forward Voltage	If = 20mA	Vf		1.25	1.4	V
Forward Voltage	IF=100mA			1.35	1.64	V
Reverse Current	Vr = 5V	Ir			10	uA
Radiant Intensity	If=50mA	Ee		12		mW/sr
	If=100mA, tp=100us, tp/t=0.01			20		
Continuous Forward Current	If(Rec)			30		mA
Half Power Beam Angle	2θ 1/2			16		deg
Power dissipation	If = 100mA	Pd		80		mW
Peak Emission Wavelength	If = 20mA	λp		940		nm

Package

Item: 500



2014FEB18Y