



# YETDA INDUSTRY LTD.

## 1.8" 24 HOURS LED CLOCK DISPLAY

### JP180DNB-24

#### DESCRIPTION

- \* 1.8" (47mm) Inch Digit Height..
- \* Blue Clock Display.
- \* 24 Hours Clock Display.
- \* Black Face and Blue Diffused Tape Segment Color.
- \* Optotech patent blue chip

#### ABSOLUTE MAXIMUM RATINGS AT Ta=25°C

Parameter		UNIT
Power Dissipation Per Dot	40	mW
Peak Forward Current Per Dot	100	mA
Forward current Per Dot (Static)	20	mA
Reverse Voltage Per Dot	5	V
Operation Temperature Range	-45°C TO +80°C	°C
Storage Temperature Range	-45°C TO +100°C	°C
Solder Temperature 1/16 Inch Below Seating Plane For 5 Second At 260 °C		

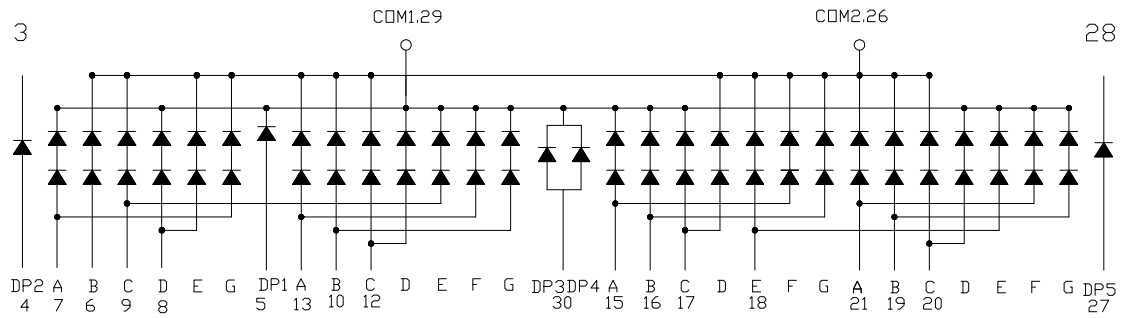
#### ELECTRICAL/OPTOTICAL CHARACTERISTIC AT Ta=25°C

PARAMETER	SYMBOL	MIN.	TYP.	MAX.	UNIT	CONDITION
Average Luminous Intensity	Iv	25	35		mcd	If=20mA
Peak Emission Wavelength	$\lambda d$		470		nm	If=20mA
Forward Voltage Per Dot	Vf		6.4	7.6	V	If=20mA
Reverse Current Per Dot	Ir			10	uA	Vr=5V
Luminous Intensity Matching Ratio	Iv-m			2 : 1		If=20mA

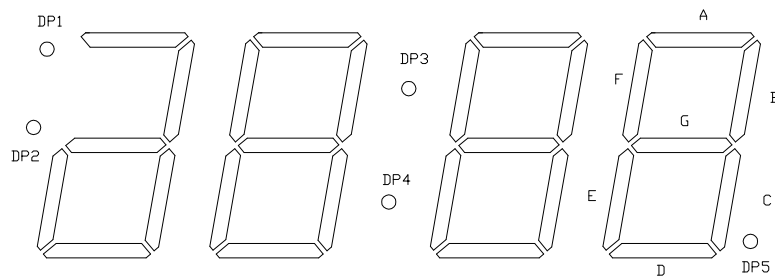
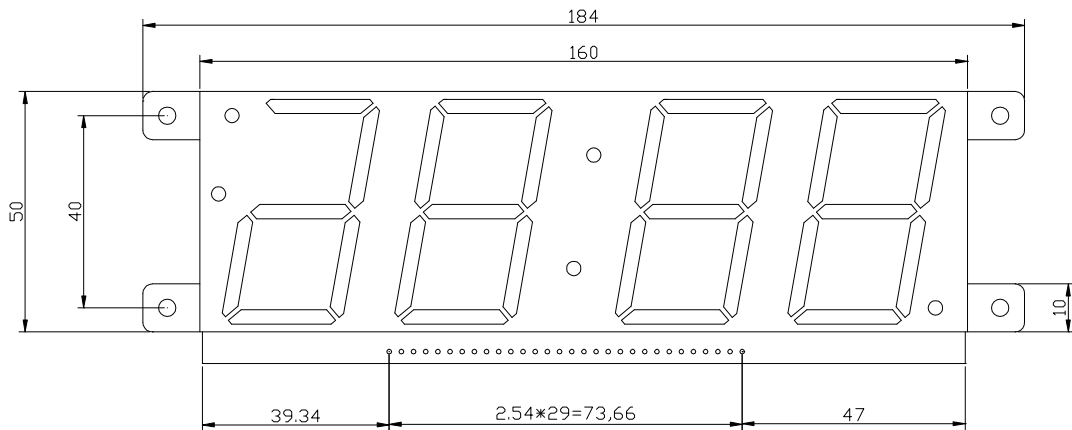


# YETDA INDUSTRY LTD.

## P.C.B. Pin Connection



## Reflector Dimensions



Unit:mm

General Tolerance:  $\pm 0.25\text{mm}$