



YETDA INDUSTRY LTD.

1.8" 24 HOURS LED CLOCK DISPLAY

JP1805-24

DESCRIPTION

- * 1.8" (47mm) Inch Digit Height..
- * Pure Green Clock Display.
- * 24 Hours Clock Display.
- * Black Face and Green Diffused Tape Segment Color.

ABSOLUT MAXIMUM RATINGS AT Ta=25°C

Parameter		UNIT
Power Dissipation Per Dot	40	mW
Peak Forward Current Per Dot	100	mA
Forward current Per Dot (Static)	20	mA
Reverse Voltage Per Dot	5	V
Operation Temperature Range	-45°C TO +80°C	°C
Storage Temperature Range	-45°C TO +100°C	°C
Solder Temperature 1/16 Inch Below Seating Plane For 5 Second At 260 °C		

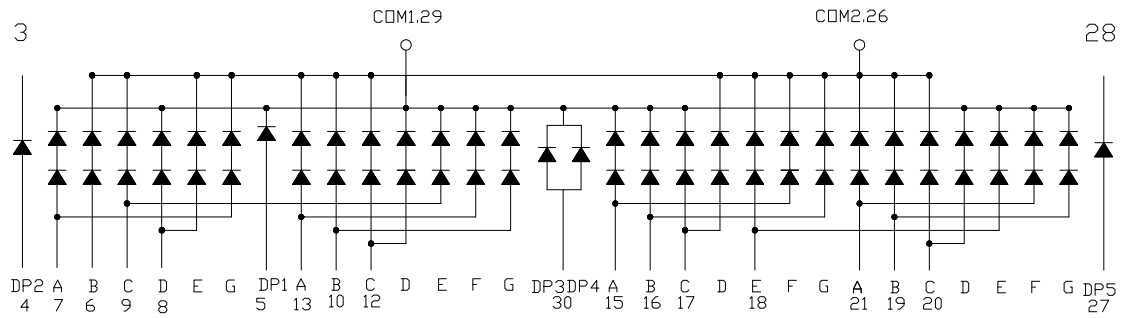
ELECTRICAL/OPTOTICAL CHARACTERISTIC AT Ta=25°C

PARAMETER	SYMBOL	MIN.	TYP.	MAX.	UNIT	CONDITION
Average Luminous Intensity	Iv	150	180		mcd	If=20mA
Peak Emission Wavelength	λd		525		nm	If=20mA
Forward Voltage Per Dot	Vf	6.4	7.6		V	If=20mA
Reverse Current Per Dot	Ir			10	uA	Vr=5V
Luminous Intensity Matching Ratio	Iv-m			2 : 1		If=20mA

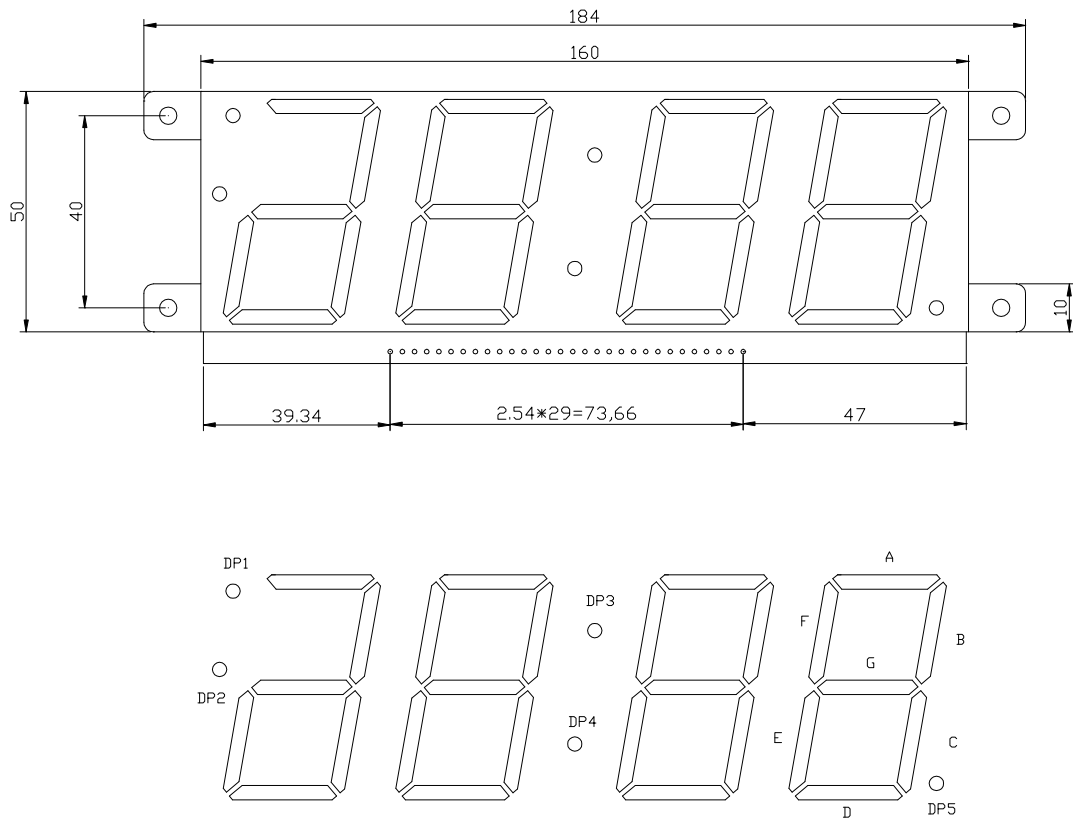


YETDA INDUSTRY LTD.

P.C.B. Pin Connection



Reflector Dimensions



Unit:mm

General Tolerance: $\pm 0.25\text{mm}$