



YETDA INDUSTRY LTD.

2.5" 24 HOUR RED LED CLOCK DISPLAY

JP250SK-24

DESCRIPTION

- * 2.5" (63.40mm) Inch Digit Height.
- * High Bright Red Display.
- * 24 Hours Clock Display
- * Red Diffused Tape Segment Color

ABSOLUT MAXIMUM RATINGS AT Ta=25°C

Parameter		UNIT
Power Dissipation Per Seg. & Dot	40	mW
Peak Forward Current Per Seg. & Dot	120	mA
Forward current Per Seg. (Static) & Dot	30	mA
Reverse Voltage Per Seg. & Dot	5	V
Operation Temperature Range	-25°C TO +80°C	°C
Storage Temperature Range	-25°C TO +100°C	°C
Lead Soldering Temperature	260°C for 3 seconds 1.6mm(1/16 inch) from body	

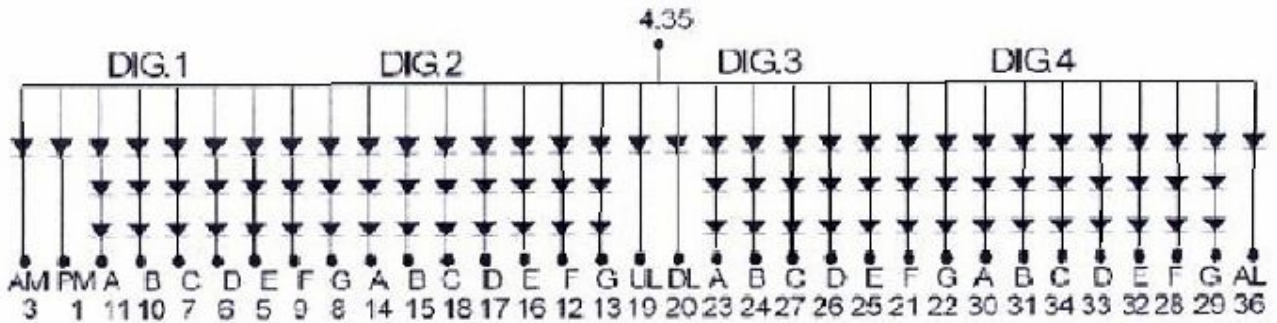
ELECTRICAL/OPTOTICAL CHARACTERISTIC AT Ta=25°C

PARAMETER	SYMBOL	MIN.	TYP.	MAX.	UNIT	CONDITION
Average Luminous Intensity	Iv	4	12		mcd	If=20mA
Emission Wavelength	λd		660		nm	If=20mA
Forward Voltage Per Seg.	Vf		1.8	2.2	V	If=20mA
Reverse Current Per Seg.	Ir			10	uA	Vr=5V
Luminous Intensity Matching Ratio	Iv-m		2 : 1			If=20mA



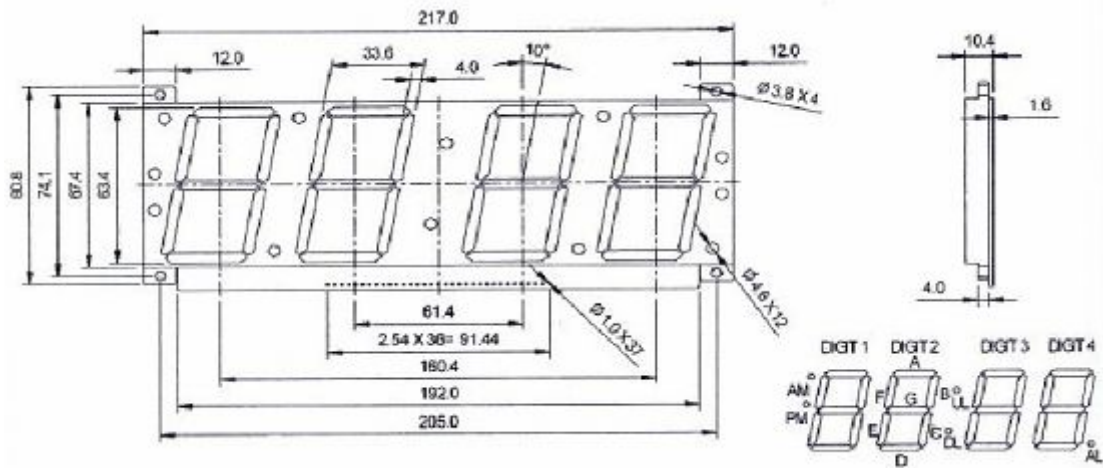
YETDA INDUSTRY LTD.

P.C.B. Pin Connection



PIN 5,6,8,9,11,37 NC

Reflector Dimensions



Unit:mm