



# YETDA INDUSTRY LTD.

## 0.3" 24 HOURS LED CLOCK DISPLAY

### JP301-24

#### DESCRIPTION

- \* 0.3" (7.62mm) Inch Digit Height.
- \* Red Clock Display.
- \* 24 Hours Clock Display.
- \* Red Diffused Tape Segment Color.

#### ABSOLUT MAXIMUM RATINGS AT Ta=25°C

Parameter		UNIT
Power Dissipation Per Dot	40	mW
Peak Forward Current Per Dot	120	mA
Forward current Per Dot (Static)	30	mA
Reverse Voltage Per Dot	5	V
Operation Temperature Range	-40°C TO +80°C	°C
Storage Temperature Range	-40°C TO +100°C	°C
Solder Temperature 1/16 Inch Below Seating Plane For 5 Second At 260 °C		

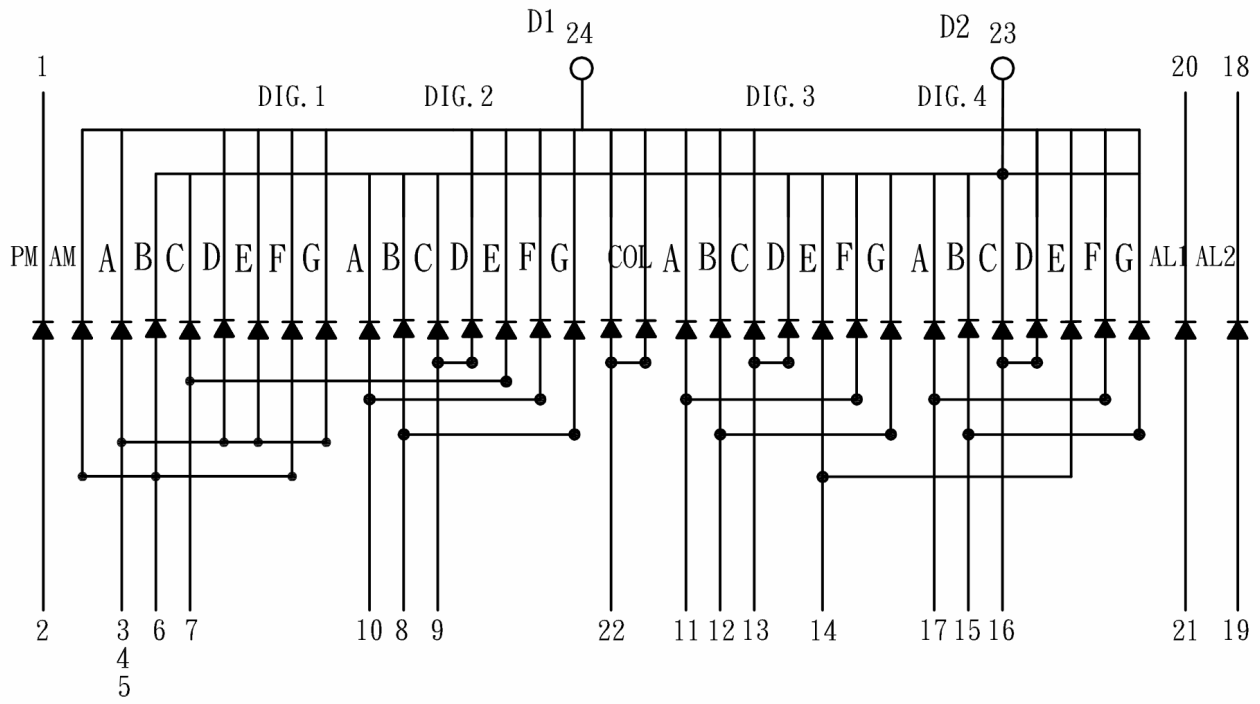
#### ELECTRICAL/OPTOTICAL CHARACTERISTIC AT Ta=25°C

PARAMETER	SYMBOL	MIN.	TYP.	MAX.	UNIT	CONDITION
Average Luminous Intensity	Iv	0.5	0.7		mcd	If=20mA
Peak Emission Wavelength	$\lambda$ d		695		nm	If=20mA
Forward Voltage Per Dot	Vf		2.2	2.8	V	If=20mA
Reverse Current Per Dot	Ir			10	uA	Vr=5V
Luminous Intensity Matching Ratio	Iv-m			2 : 1		If=20mA

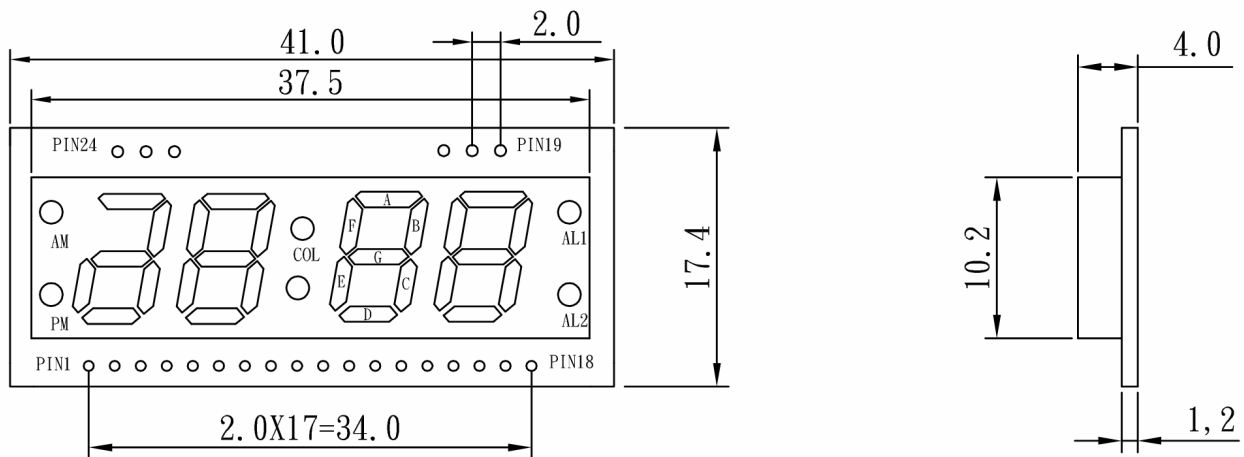


YETDA INDUSTRY LTD.

### P.C.B. Pin Connection



### Reflector Dimensions



Unit:mm

Tolerance: ±0.2