



# YETDA INDUSTRY LTD.

## 0.7" 12 HOURS LED CLOCK DISPLAY

### JP701-12

#### DESCRIPTION

- \* 0.7" (18 mm) Inch Digit Height..
- \* Red Clock Display.
- \* 12 Hours Clock Display.
- \* Red Diffused Tape Segment Color.

#### ABSOLUT MAXIMUM RATINGS AT Ta=25°C

Parameter		UNIT
Power Dissipation Per Dot	40	mW
Peak Forward Current Per Dot	120	mA
Forward current Per Dot (Static)	30	mA
Reverse Voltage Per Dot	5	V
Operation Temperature Range	-40°C TO +80°C	°C
Storage Temperature Range	-40°C TO +100°C	°C
Solder Temperature 1/16 Inch Below Seating Plane For 5 Second At 260 °C		

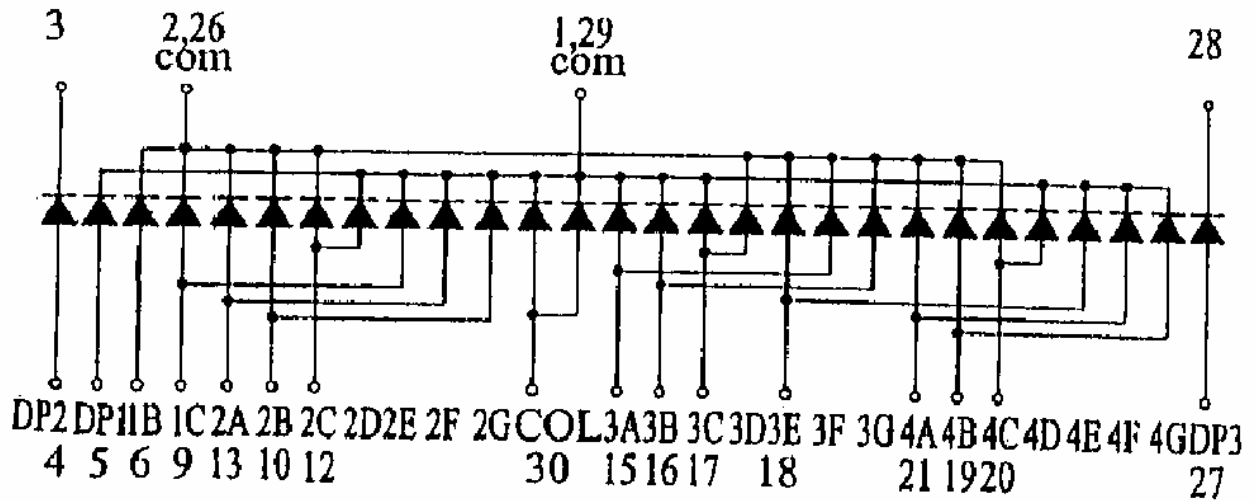
#### ELECTRICAL/OPTOTICAL CHARACTERISTIC AT Ta=25°C

PARAMETER	SYMBOL	MIN.	TYP.	MAX.	UNIT	CONDITION
Average Luminous Intensity	Iv	0.3			mcd	If=20mA
Peak Emission Wavelength	$\lambda d$		700		nm	If=20mA
Forward Voltage Per Dot	Vf	1.9	2.4	2.7	V	If=20mA
Reverse Current Per Dot	Ir			10	uA	Vr=5V
Luminous Intensity Matching Ratio	Iv-m			2 : 1		If=20mA

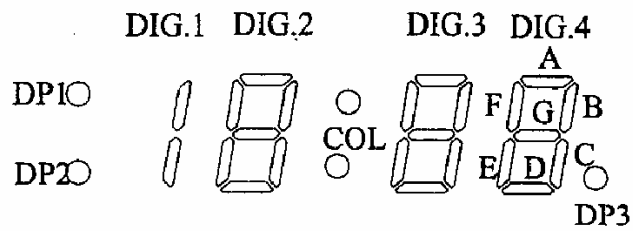
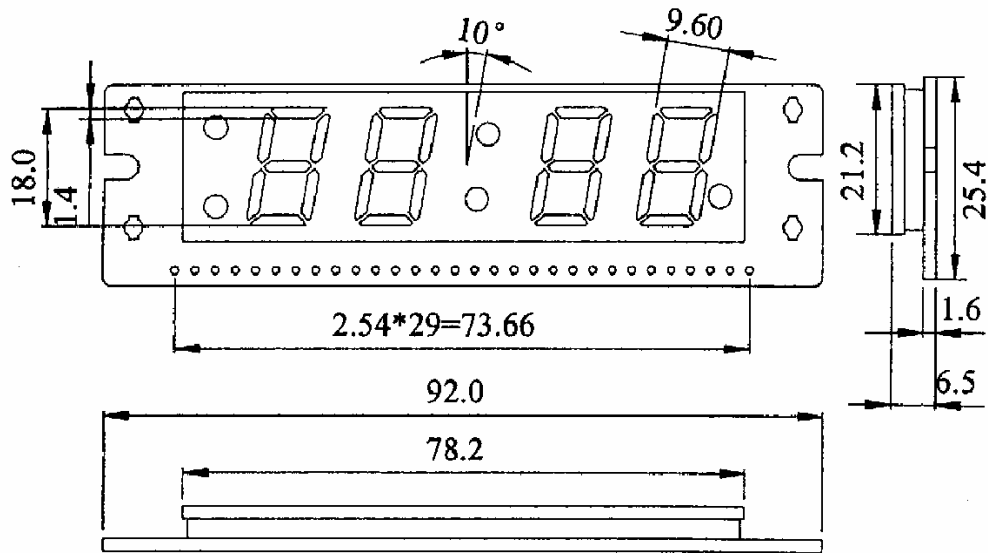


YETDA INDUSTRY LTD.

**P.C.B. Pin Connection**



**Reflector Dimensions**



Unit:mm