



YETDA INDUSTRY LTD.

0.7" 12 HOURS LED CLOCK DISPLAY

JP703-12

DESCRIPTION

- * 0.7" (18 mm) Inch Digit Height..
- * Blue Clock Display.
- * 12 Hours Clock Display.
- * Black Face and Blue Diffused Tape Segment Color.

ABSOLUT MAXIMUM RATINGS AT Ta=25°C

Parameter		UNIT
Power Dissipation Per Dot	40	mW
Peak Forward Current Per Dot	120	mA
Forward current Per Dot (Static)	30	mA
Reverse Voltage Per Dot	5	V
Operation Temperature Range	-40°C TO +80°C	°C
Storage Temperature Range	-40°C TO +100°C	°C
Solder Temperature 1/16 Inch Below Seating Plane For 5 Second At 260 °C		

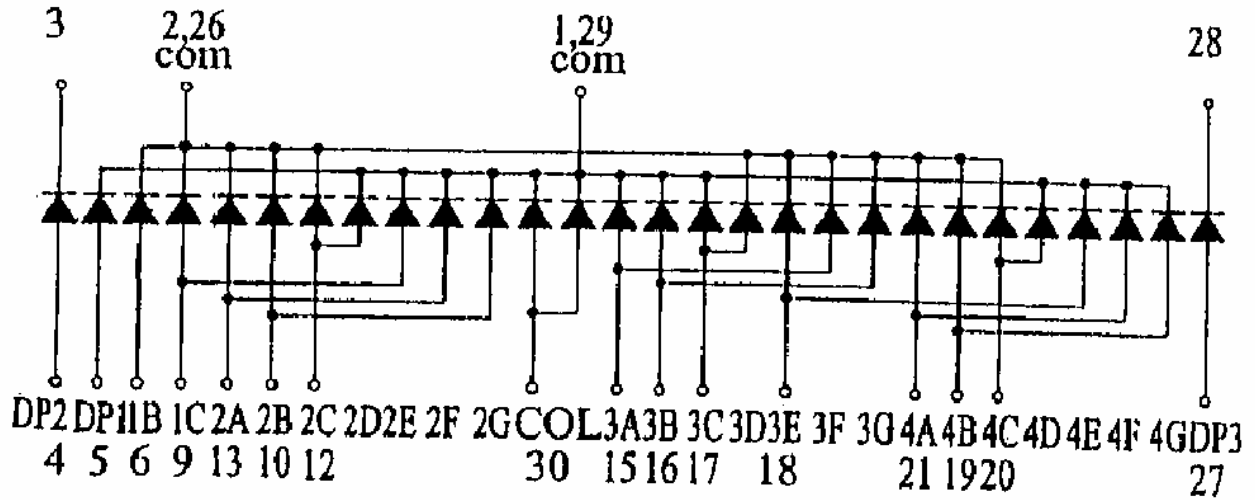
ELECTRICAL/OPTOTICAL CHARACTERISTIC AT Ta=25°C

PARAMETER	SYMBOL	MIN.	TYP.	MAX.	UNIT	CONDITION
Average Luminous Intensity	Iv	45	55		mcd	If=20mA
Peak Emission Wavelength	λd		465		nm	If=20mA
Forward Voltage Per Dot	Vf	2.8	3.5		V	If=20mA
Reverse Current Per Dot	Ir			10	uA	Vr=5V
Luminous Intensity Matching Ratio	Iv-m	2 : 1				If=20mA

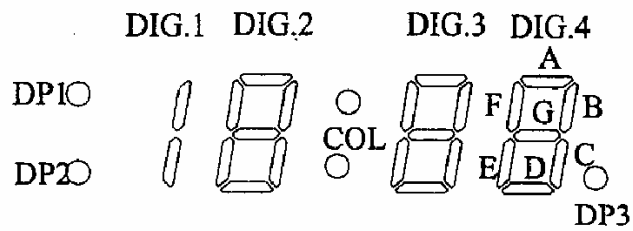
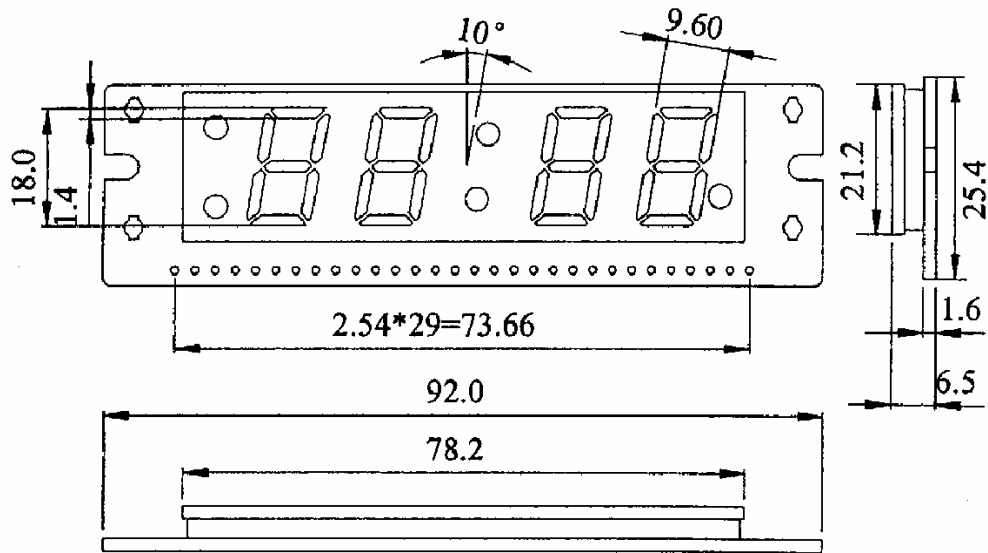


YETDA INDUSTRY LTD.

P.C.B. Pin Connection



Reflector Dimensions



Unit:mm