



# YETDA INDUSTRY LTD.

## 15\*15mm GREEN LIGHT BAR

### LB-15x15/4PG03

#### DESCRIPTION

- \* 15\*15 mm Light Bar.
- \* Ultra Bright Green Light Bar.
- \* White Face and Green Segment Color.

#### ABSOLUT MAXIMUM RATINGS AT Ta=25°C

Parameter		UNIT
Power Dissipation Per Segment	40	mW
Peak Forward Current Per Segment	120	mA
Forward current Per Segment (Static)	30	mA
Reverse Voltage Per Segment	5	V
Operation Temperature Range	-25°C TO +80°C	°C
Storage Temperature Range	-25°C TO +100°C	°C
Lead Soldering Temperature	260°C for 3 seconds 1.6mm(1/16 inch) from body	

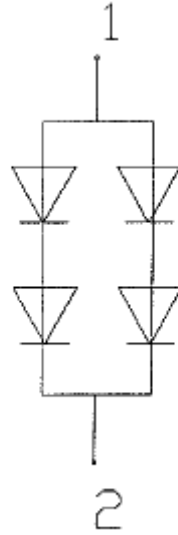
#### ELECTRICAL/OPTOTICAL CHARACTERISTIC AT Ta=25°C

PARAMETER	SYMBOL	MIN.	TYP.	MAX.	UNIT	CONDITION
Average Luminous Intensity	I <sub>v</sub>	150	180		mcd	I <sub>F</sub> =20mA
Emission Wavelength	λ <sub>D</sub>		525		nm	I <sub>F</sub> =20mA
Forward Voltage Per Seg.	V <sub>F</sub>		6.4	7.6	V	I <sub>F</sub> =20mA
Reverse Current Per Seg.	I <sub>R</sub>			10	uA	V <sub>R</sub> =5V
Luminous Intensity Matching Ratio	I <sub>v</sub> -m		2 : 1			I <sub>F</sub> =20mA

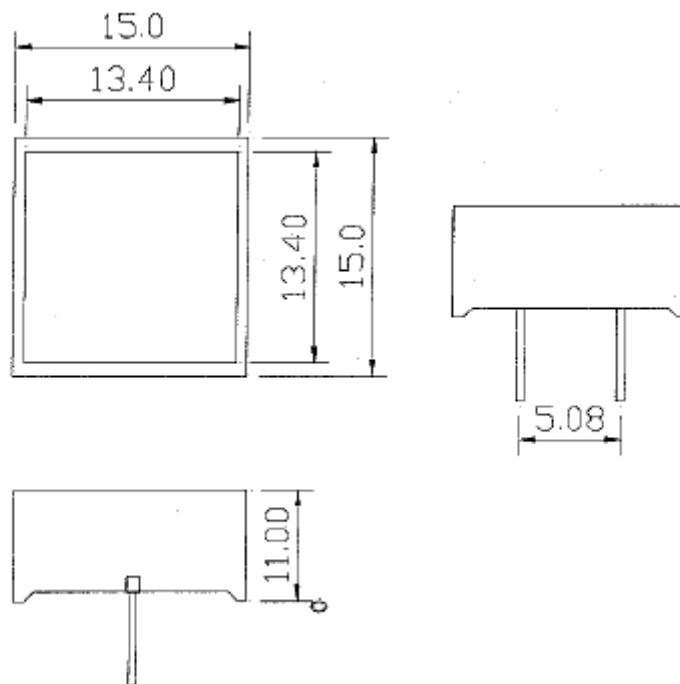


YETDA INDUSTRY LTD.

### P.C.B. Pin Connection



### Reflector Dimensions



Unit:mm