



YETDA INDUSTRY LTD.

3" 7.62mm 5*7 ORANGE DOT MATRIX DISPLAY

M-30572AE10

DESCRIPTION

- * 3" (68.58mm) Inch Matrix Height.
- * High Bright Orange Dot Matrix.
- * Black Face and Water Clear Dot Color.
- * Row Common Anode.

ABSOLUT MAXIMUM RATINGS AT Ta=25°C

Parameter		UNIT
Power Dissipation Per Dot	80	mW
Peak Forward Current Per Dot	120	mA
Forward current Per Dot (Static)	30	mA
Reverse Voltage Per Dot	10	V
Operation Temperature Range	-25°C TO +80°C	°C
Storage Temperature Range	-25°C TO +100°C	°C
Lead Soldering Temperature	260°C for 3 seconds 1.6mm(1/16 inch) from body	

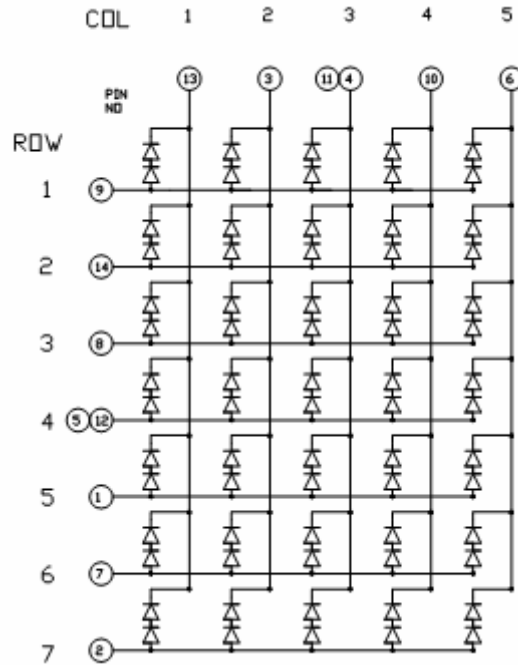
ELECTRICAL/OPTOTICAL CHARACTERISTIC AT Ta=25°C

PARAMETER	SYMBOL	MIN.	TYP.	MAX.	UNIT	CONDITION
Average Luminous Intensity	Iv	6	10		mcd	If=20mA
Peak Emission Wavelength	λd		622		nm	If=20mA
Forward Voltage Per Dot	Vf		4.2	5.2	V	If=20mA
Reverse Current Per Dot	Ir			10	uA	Vr=10V
Luminous Intensity Matching Ratio	Iv-m		2 : 1			If=20mA

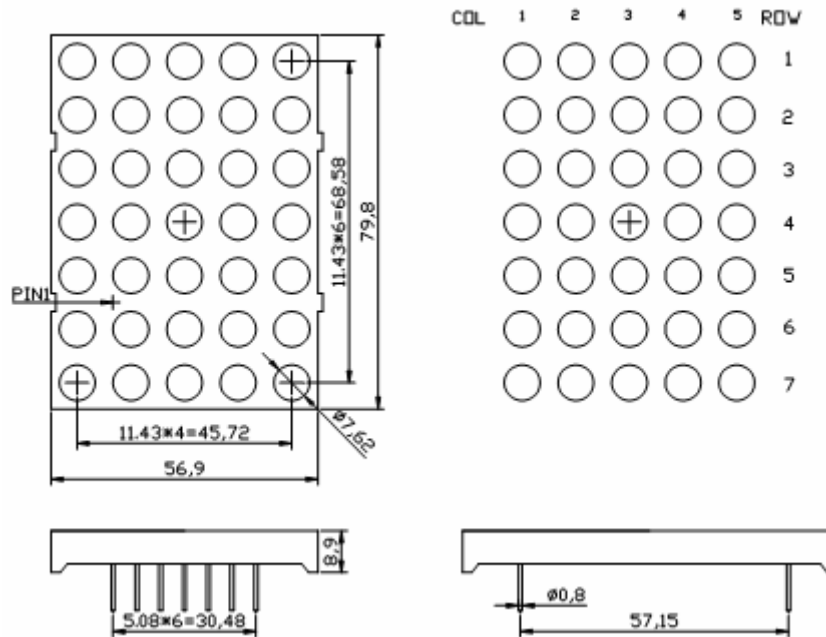


YETDA INDUSTRY LTD.

P.C.B. Pin Connection



Reflector Dimensions



Unit:mm