



# YETDA INDUSTRY LTD.

## 3" 7.62mm 5\*7 YELLOW DOT MATRIX DISPLAY

### M-30572AY11

#### DESCRIPTION

- \* 3" (68.58mm) Inch Matrix Height.
- \* Yellow Dot Matrix.
- \* Black Face and White Dot Color.
- \* Row Common Anode.

#### ABSOLUT MAXIMUM RATINGS AT Ta=25°C

Parameter		UNIT
Power Dissipation Per Dot	80	mW
Peak Forward Current Per Dot	120	mA
Forward current Per Dot (Static)	30	mA
Reverse Voltage Per Dot	10	V
Operation Temperature Range	-25°C TO +80°C	°C
Storage Temperature Range	-25°C TO +100°C	°C
Lead Soldering Temperature	260°C for 3 seconds 1.6mm(1/16 inch) from body	

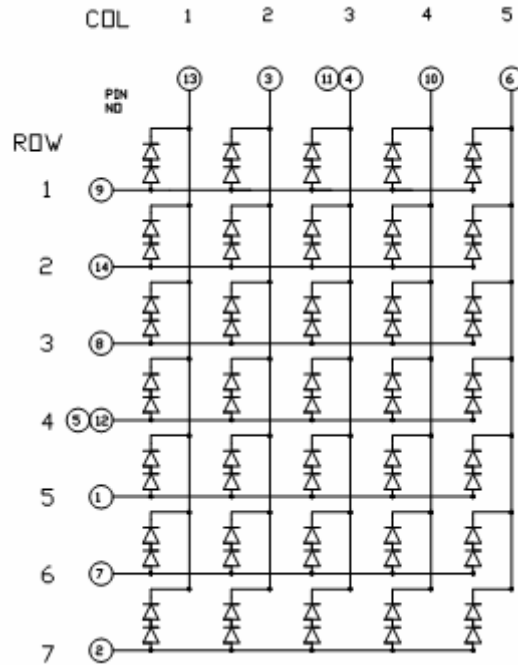
#### ELECTRICAL/OPTOTICAL CHARACTERISTIC AT Ta=25°C

PARAMETER	SYMBOL	MIN.	TYP.	MAX.	UNIT	CONDITION
Average Luminous Intensity	Iv	6	12		mcd	If=20mA
Peak Emission Wavelength	$\lambda d$		590		nm	If=20mA
Forward Voltage Per Dot	Vf		4.2	5.2	V	If=20mA
Reverse Current Per Dot	Ir			10	uA	Vr=10V
Luminous Intensity Matching Ratio	Iv-m		2 : 1			If=20mA

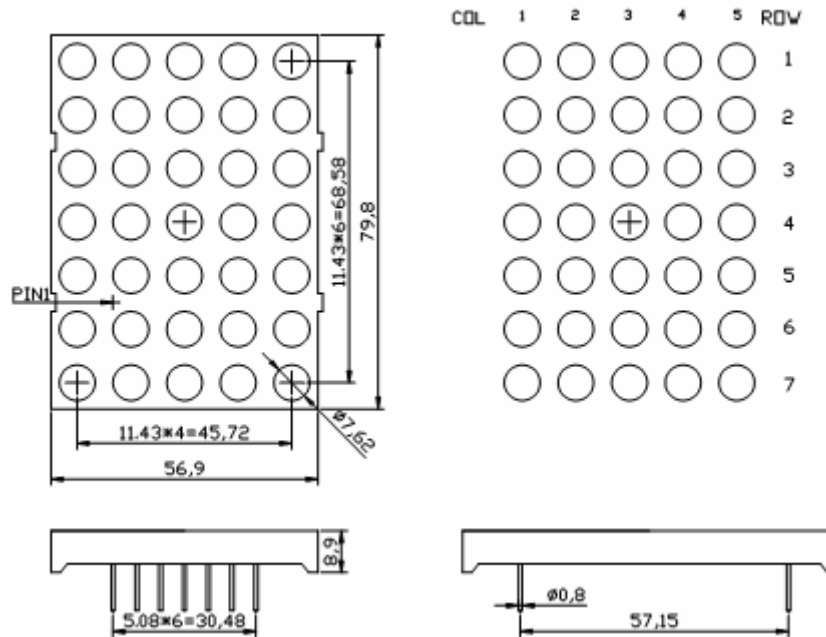


YETDA INDUSTRY LTD.

### P.C.B. Pin Connection



### Reflector Dimensions



Unit:mm