



YETDA INDUSTRY LTD.

Reflector Coating Yellow Green Color LED Lamps Q022YG4-2

- * 9.2mm Yellow Green with AlGaInP/GaAs Dice.
- * Encapsulated with Water Clear Package with 2 Pins.

Absolute Maximum Ratings : (Ta=25°C)

Parameter	Symbol	Maximum Rating	Unit
Power Dissipation	PD	150	mw
Reverse Voltage	VR	5	V
Average Forward Current	IFP	30	mA
Peak pulsing current (1/8 duty f=1kHz)	IPF	125	mA
Operating Temperature Range	TOPR	-40°C to +80	°C
Storage Temperature Range	TSTG	-40°C to +85	°C
Lead Soldering Temperature { 1.6mm(0.063inch) From Body } 260°C For 3 Seconds			

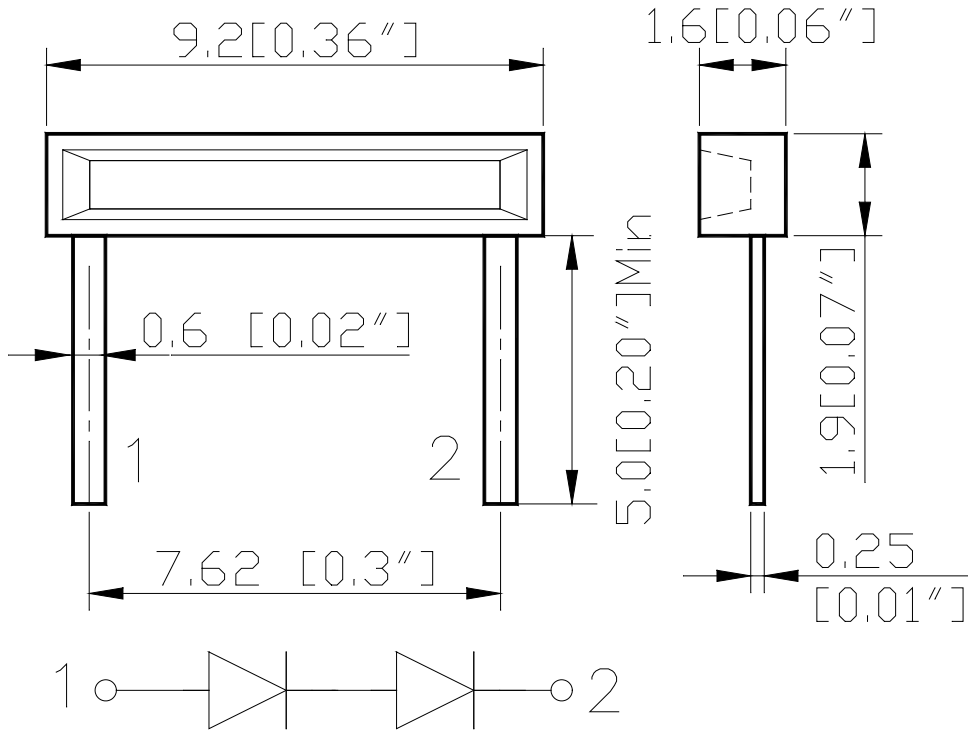
Electro-Optical Characteristics (Ta = 25°C)

Parameter	Test Condition	Symbol	Min.	Typ.	Max.	Unit
Forward Voltage	IF = 20mA	VF	3.5	4.0	5.0	V
Reverse Current	VR = 5V	IR			10	uA
Luminous Intensity	IF = 20mA	Iv	40	60	100	mcd
Dominant wavelength	IF = 20mA	λ dom	560	570	575	nm
Viewing Angle	IF = 20mA	2θ 1/2		120		deg



YETDA INDUSTRY LTD.

PACKAGING DIMENSIONS



PACKAGING SPECIFICATIONS

