



YETDA INDUSTRY LTD.

Technical Data Sheet

MODEL NO : Q5060Y4-PLK

5050 Package 5.0*5.0*1.45mm Chip LEDs

Features :

- Compatible with automatic placement equipment
- Compatible with reflow solder process

Applications :

- Indicators
- Automotive : backlighting in dashboard and switch
- Backlight for LCD

Dice material	Emitted color	Lens Color
InGaAlP	Yellow	Water Clear

Electrical/Optical Characteristics(Ta=25°C)

Parameter	Test Condition	Symbol	Value			Unit
			Min	Typ	Max	
Wavelength at peak emission	If=60mA	λ peak		590		nm
Spectral half bandwidth	If=60mA	$\Delta \lambda$		35		nm
Dominant wavelength	If=60mA	λ dom	585		595	nm
Forward voltage	If=60mA	Vf	2.0	2.2	2.4	V
Luminous intensity	If=60mA	Iv		1800	2000	mcd
Viewing angle	If=60mA	$2 \theta 1/2$		120		Deg
Reverse current	Vr=5V	Ir			10	μ A

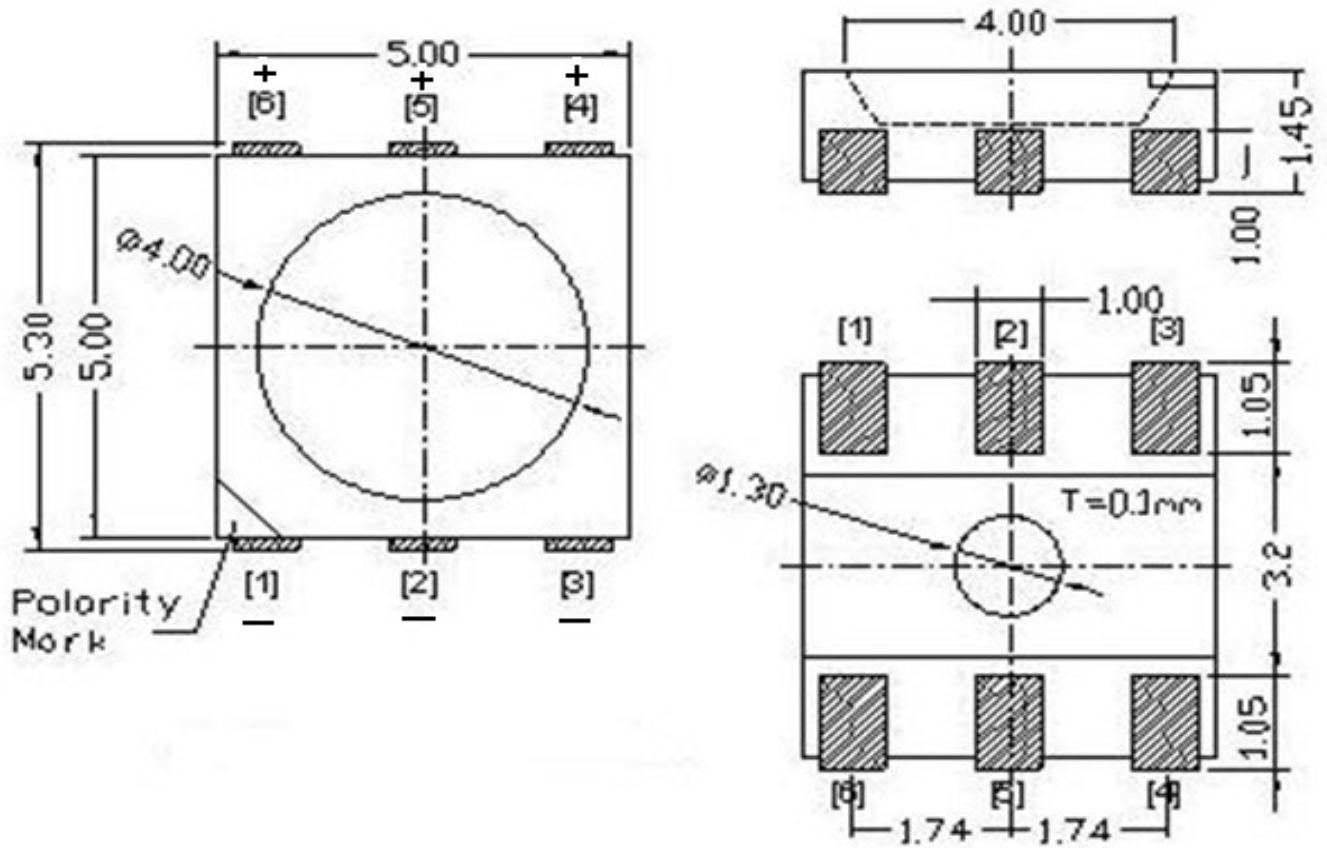
Absolute Maximum Ratings(Ta=25°C)

Parameter	Symbol	Value	Unit
Power dissipation	Pd	200	mW
Forward current	If	60	mA
Reverse voltage	Vr	5	V
Operating temperature range	Top	-20 ~+80	°C
Storage temperature range	Tstg	-40 ~+80	°C
Peak pulsing current (1/8 duty f=1kHz)	Ifp	60	mA



YETDA INDUSTRY LTD.

PACKAGING DIMENSIONS



2016AUG22Y



YETDA INDUSTRY LTD.

■ Typical Electro-Optical Characteristics Curve:

Fig 1. Forward Current vs. Forward Voltage

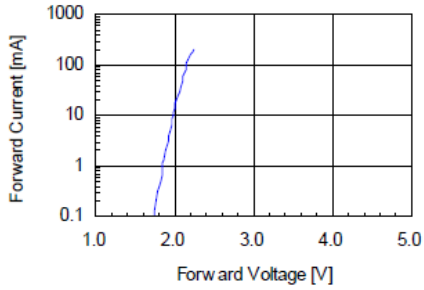


Fig 2. Relative Intensity vs. Forward Current

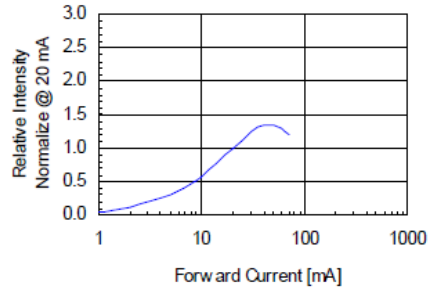


Fig 3. Forward Voltage vs. Temperature

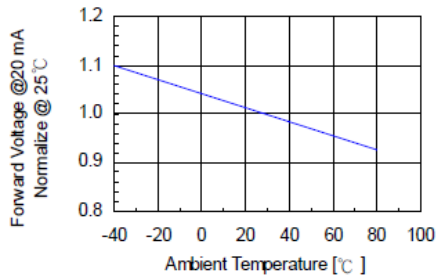


Fig 4. Relative Intensity vs. Temperature

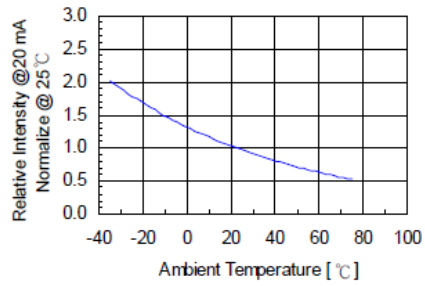
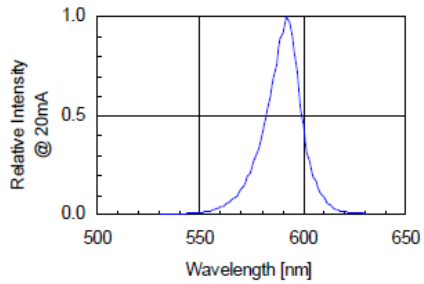
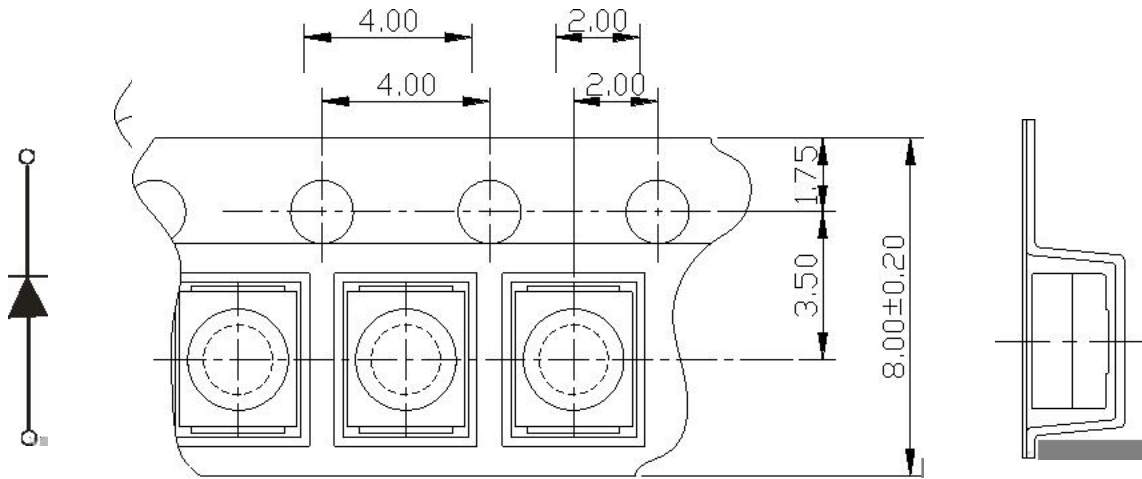


Fig 5. Relative Intensity vs. Wavelength

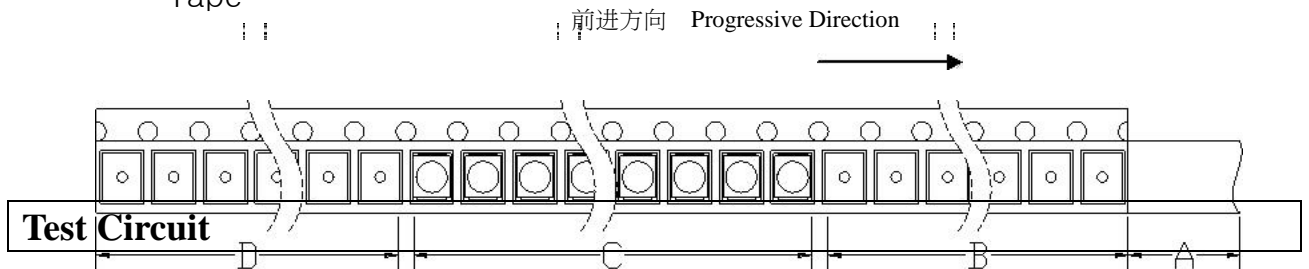




单位：mm，未注公差：±0.1 mm

All dimensions in mm, tolerances unless mentioned is ±0.1 mm.

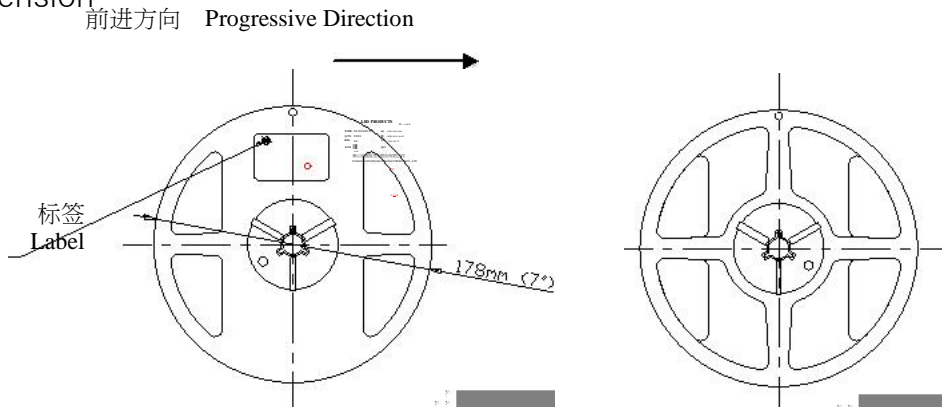
◇ 编带细节 Details Of Carrier Tape



A：盖带，300 mm；B：引导，空带，200mm；C：编载产品 2000只；D：尾部，空带，200mm

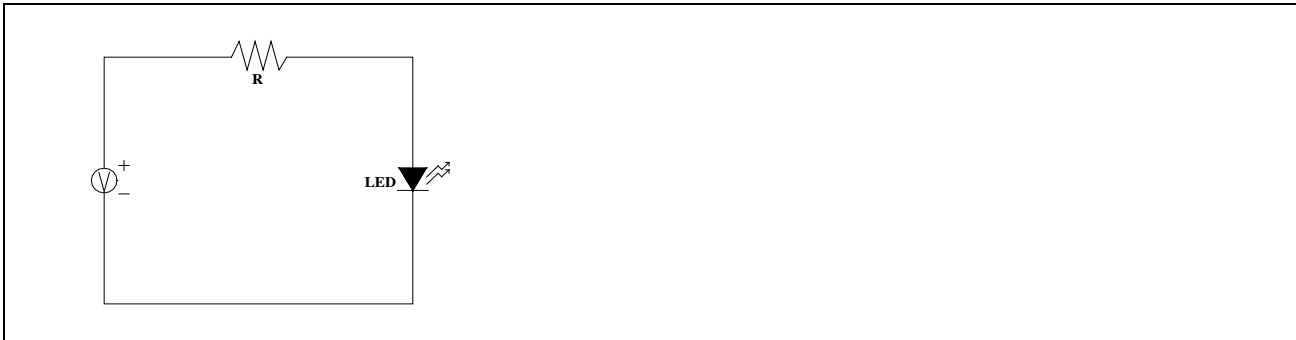
A: Top Cover Tape, 300mm; B: Leader, Empty, 200mm; C: 2000 Lamps Loaded; D: Trailer, Empty, 200mm.

◇ 带盘 Reel Dimension

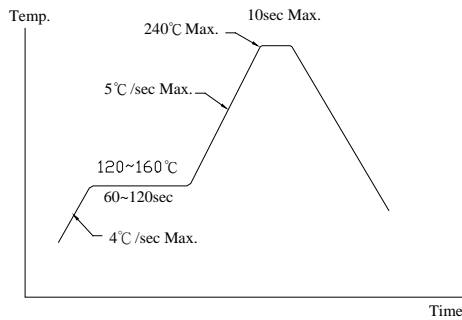




YETDA INDUSTRY LTD.



Reflow Temp. / Time :



Reliability Test Items And Conditions

The reliability of products shall be satisfied with items listed below.

No.	Items	Test Condition	Test Hours/Cycles	Sample Size
1	Solder Heat	TEMP : 260°C±5°C	5 sec	48 pcs
2	Temperature Cycle	90°C ~ 25°C ~ -30°C ~ 25°C 30m 5m 30m 5m	300Cycles	48 Pcs
3	Thermal Shick	100°C ~ -55°C 10m 10m	100Cycles	48 Pcs
4	Operation Life	If=20mA	1000 Hrs	48 Pcs
5	High Temperature Storage	Temp:90°C	1000Hrs	48 Pcs
6	Low Temperature Storage	Temp:-30°C	1000Hrs	48 Pcs
7	High Temperature/High Humidity	80°C / R.H80%	1000Hrs	48 Pcs