



YETDA INDUSTRY LTD.

1.5" SINGLE DIGIT WHITE LED DISPLAY

S-15012AW10-SMDxSS

DESCRIPTION

- * 1.5" (38.10mm) Inch Digit Height.
- * High Bright White Color Display.
- * Black Face and White Segment Color.
- * Common Anode.

ABSOLUT MAXIMUM RATINGS AT Ta=25°C

Parameter		UNIT
Power Dissipation Per Seg.	80	mW
Peak Forward Current Per Seg. & Dot	100	mA
Forward current Per Seg. & Dot (Static)	20	mA
Reverse Voltage	5	V
Operation Temperature Range	-25°C TO +80°C	°C
Storage Temperature Range	-25°C TO +80°C	°C
Lead Soldering Temperature	260°C for 3 seconds 1.6mm(1/16 inch) from body	

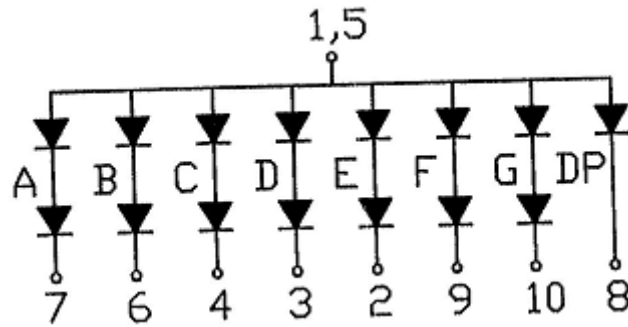
ELECTRICAL/OPTOTICAL CHARACTERISTIC AT Ta=25°C

PARAMETER	SYMBOL	MIN.	TYP.	MAX.	UNIT	CONDITION
Luminous Intensity	Iv	100			mcd	If=10mA
Chromaticity Coordinates	X	0.21	0.24	0.30		If=10mA
	Y	0.20	0.23	0.30		
Forward Voltage Per Seg.	Vf	5.6	6.4	7.0	V	If=20mA
Forward Voltage Per Dot		2.8	3.2	3.5		
Reverse Current Per Seg.	Ir			50	uA	Vr=5V
Suggestion Forward Current	IF	3	5-10	15	mA	

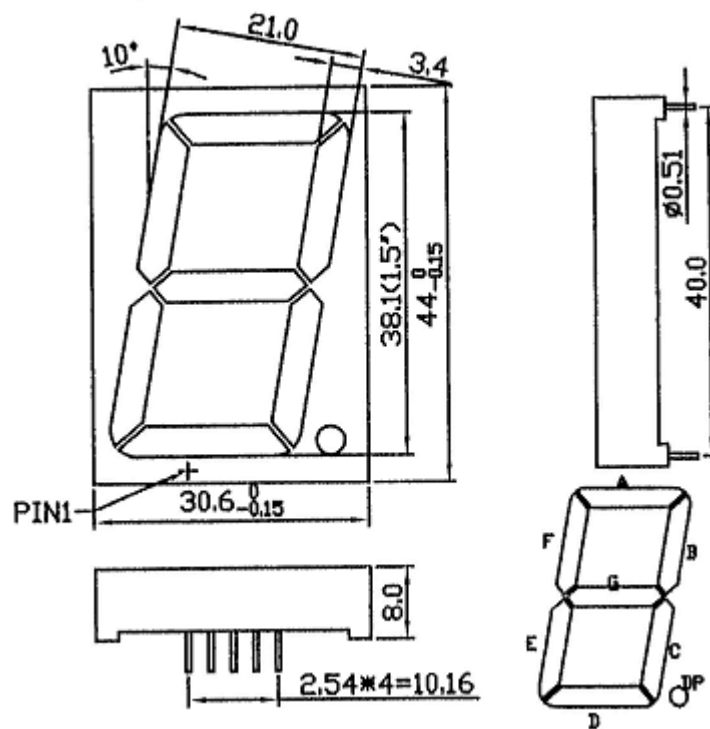


YETDA INDUSTRY LTD.

P.C.B. Pin Connection



Reflector Dimensions



備註 (Notes):

- a、全部單位為毫米(英寸) All dimensions are in millimeters(inches) ;
- 未注公差為±0.25mm(0.01\") Tolerances are ±0.25mm(0.01\") unless otherwise noted .