



# YETDA INDUSTRY LTD.

## 1.8" SINGLE DIGIT RED & GREEN LED DISPLAY S-18018AUFG11

### DESCRIPTION

- \* 1.8" (45.00mm) Inch Digit Height.
- \* Super Bright Red & Pure-Green Display.
- \* Black Face and White Segment Color.
- \* Common Anode.

### ABSOLUTE MAXIMUM RATINGS AT Ta=25°C

Parameter		UNIT
Power Dissipation Per chip	50	mW
Peak Forward Current Per chip	60	mA
Forward current Per Seg.	20	mA
Operation Temperature Range	-20°C TO +85°C	°C
Storage Temperature Range	-20°C TO +85°C	°C
Lead Soldering Temperature	260°C for 3 seconds 1.6mm(1/16 inch) from body	

### ELECTRICAL/OPTOTICAL CHARACTERISTIC AT Ta=25°C

#### RED

PARAMETER	SYMBOL	MIN.	TYP.	MAX.	UNIT	CONDITION
Average Luminous Intensity	Iv	50	60		mcd	If=20mA
Emission Wavelength	$\lambda d$		625		nm	If=20mA
Forward Voltage Per Seg.	Vf		6.0	7.2	V	If=20mA
Forward Voltage Per Dot	Vf		2.0	2.4	V	If=20mA
Reverse Current Per Seg.	Ir			10	uA	Vr=15V
Reverse Current Per Dot	Ir			10	uA	Vr=5V
Luminous Intensity Matching Ratio	Iv-m	2 : 1				If=20mA



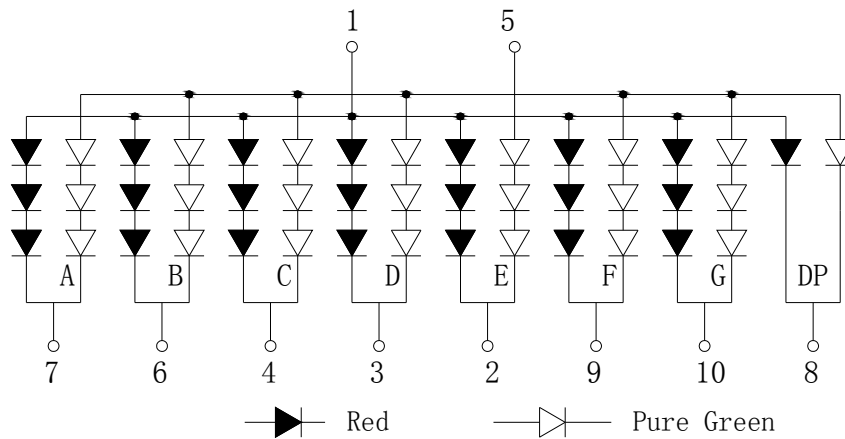
# YETDA INDUSTRY LTD.

## ELECTRICAL/OPTOTICAL CHARACTERISTIC AT Ta=25°C PURE-GREEN

PARAMETER	SYMBOL	MIN.	TYP.	MAX.	UNIT	CONDITION
Average Luminous Intensity	Iv	150	180		mcd	If=20mA
Emission Wavelength	$\lambda d$		520		nm	If=20mA
Forward Voltage Per Seg.	Vf		9.6	11	V	If=20mA
Forward Voltage Per Dot	Vf		3.2	3.6	V	If=20mA
Reverse Current Per Seg.	Ir			10	uA	Vr=15V
Reverse Current Per Dot	Ir			10	uA	Vr=5V
Luminous Intensity Matching Ratio	Iv-m	2 : 1				If=20mA

2014JAN10Y

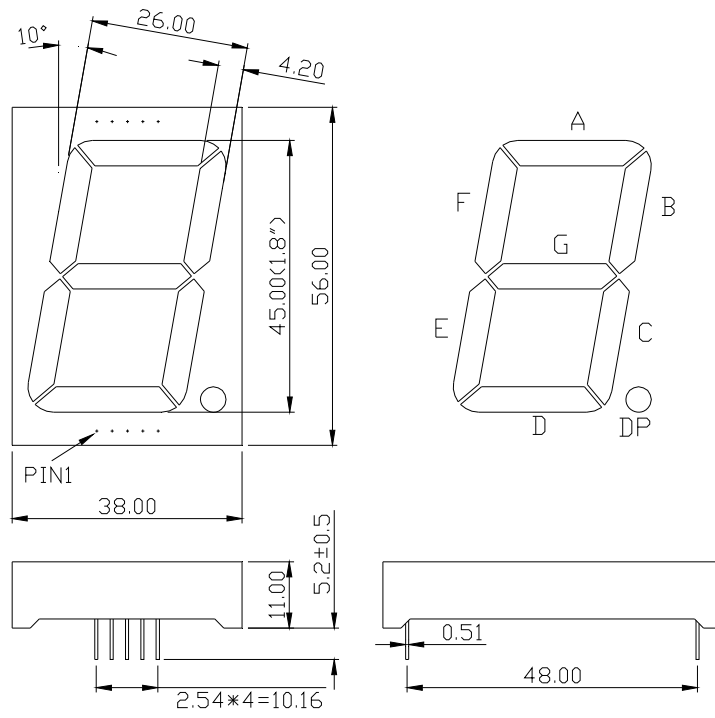
### P.C.B. Pin Connection



### Reflector Dimensions



# YETDA INDUSTRY LTD.



Unit:mm