



YETDA INDUSTRY LTD.

2.3" SINGLE DIGIT RED ALPHANUMERIC DISPLAY

S-23012RSK21

DESCRIPTION

- * 2.3" (56.8mm) Inch Digit Height.
- * High Bright Red Display.
- * Grey Face and White Segment Color.
- * Common Anode.

ABSOLUT MAXIMUM RATINGS AT Ta=25°C

| Parameter | | UNIT |
|---|---|------|
| Power Dissipation Per Seg. | 80 | mW |
| Power Dissipation Per Dot | 40 | |
| Peak Forward Current Per Seg. & Dot | 120 | mA |
| Forward current Per Seg. & Dot (Static) | 30 | mA |
| Reverse Voltage Per Seg. | 10 | V |
| Reverse Voltage Per Dot | 5 | |
| Operation Temperature Range | -25°C TO +80°C | °C |
| Storage Temperature Range | -25°C TO +100°C | °C |
| Lead Soldering Temperature | 260°C for 3 seconds 1.6mm(1/16 inch) from body | |

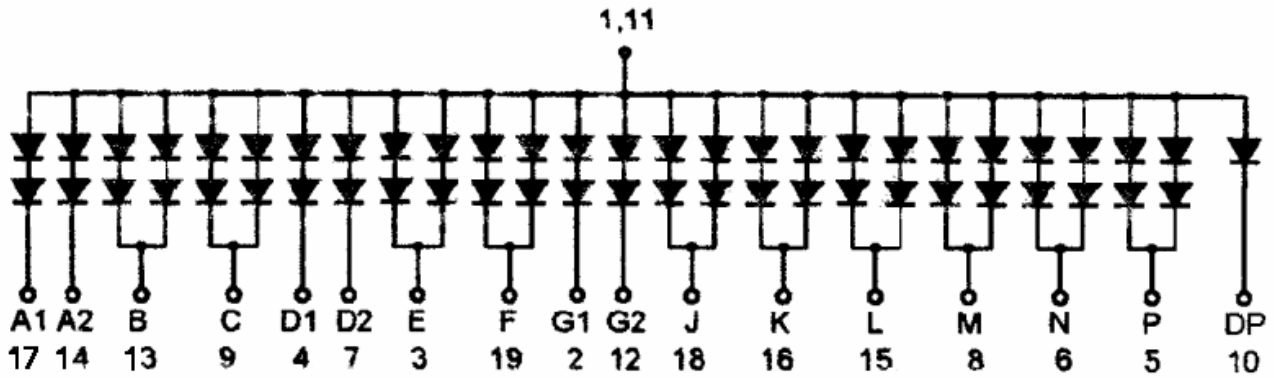
ELECTRICAL/OPTOTICAL CHARACTERISTIC AT Ta=25°C

| PARAMETER | SYMBOL | MIN. | TYP. | MAX. | UNIT | CONDITION |
|-----------------------------------|-------------|------|-------|------|------|-----------|
| Average Luminous Intensity | Iv | 4 | 12 | | mcd | If=20mA |
| Emission Wavelength | λd | | 660 | | nm | If=20mA |
| Forward Voltage Per Seg. | Vf | | 3.6 | 4.4 | V | If=20mA |
| Forward Voltage Per Dot | | | 1.8 | 2.2 | | |
| Reverse Current Per Seg. | Ir | | | 10 | uA | Vr=5V |
| Luminous Intensity Matching Ratio | Iv-m | | 2 : 1 | | | If=20mA |

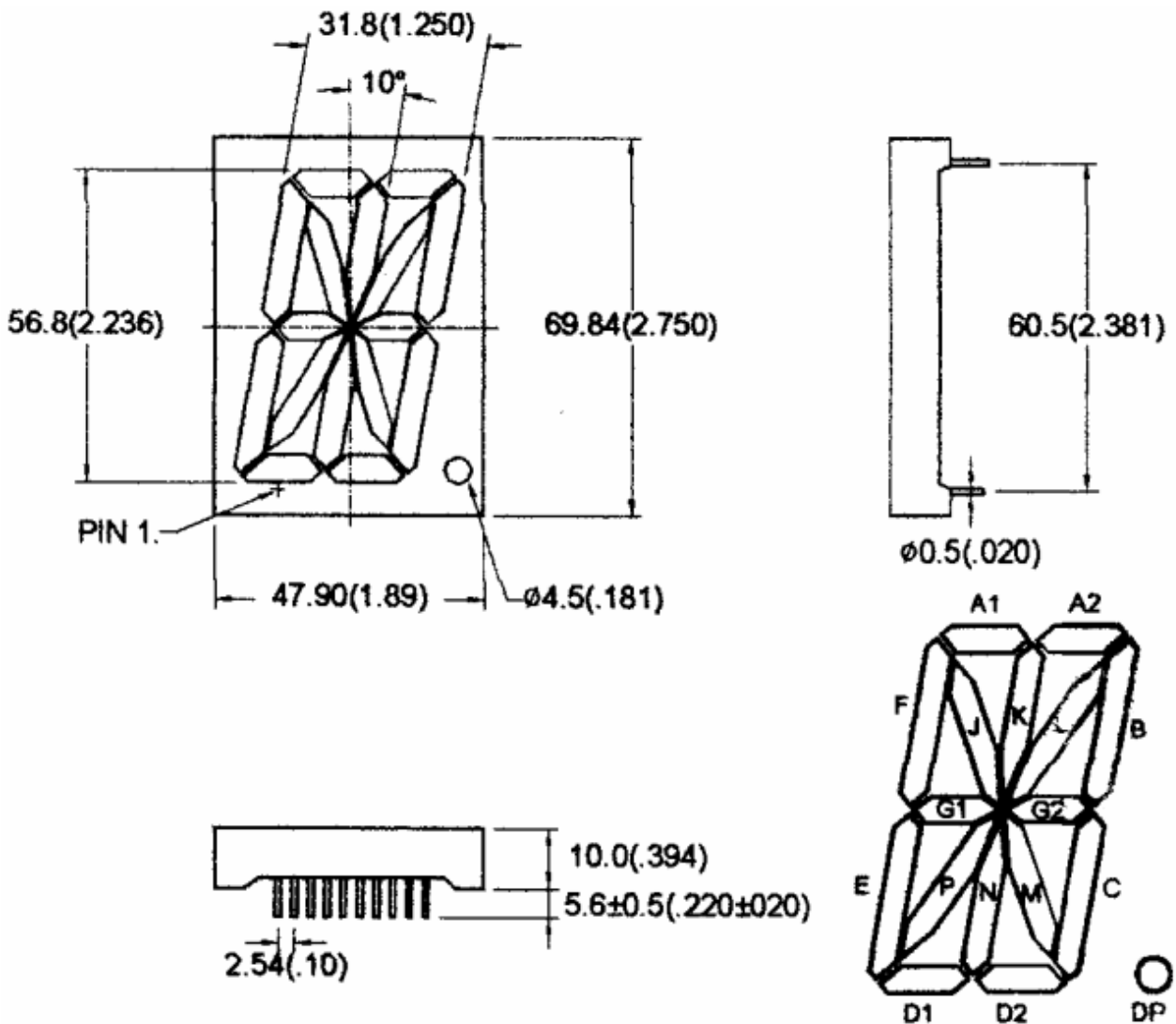


YETDA INDUSTRY LTD.

P.C.B. Pin Connection



Reflector Dimensions



Unit:mm