



YETDA INDUSTRY LTD.

0.39" SINGLE BLUE DIGIT SMD LED DISPLAY

S-3912AB21-SMD

DESCRIPTION

- * 0.39" (10mm) Inch Digit Height.
- * Ultra Bright Blue Display.
- * Gray Face and White Segment Color.
- * Common Anode.

ABSOLUT MAXIMUM RATINGS AT Ta=25°C

Parameter		UNIT
Power Dissipation Per Seg. & Dot	40	mW
Peak Forward Current Per Seg. & Dot	120	mA
Forward current Per Seg. & Dot (Static)	30	mA
Reverse Voltage Per Seg. & Dot	5	V
Operation Temperature Range	-25°C TO +80°C	°C
Storage Temperature Range	-25°C TO +100°C	°C
Lead Soldering Temperature	260°C for 3 seconds 1.6mm(1/16 inch) from body	

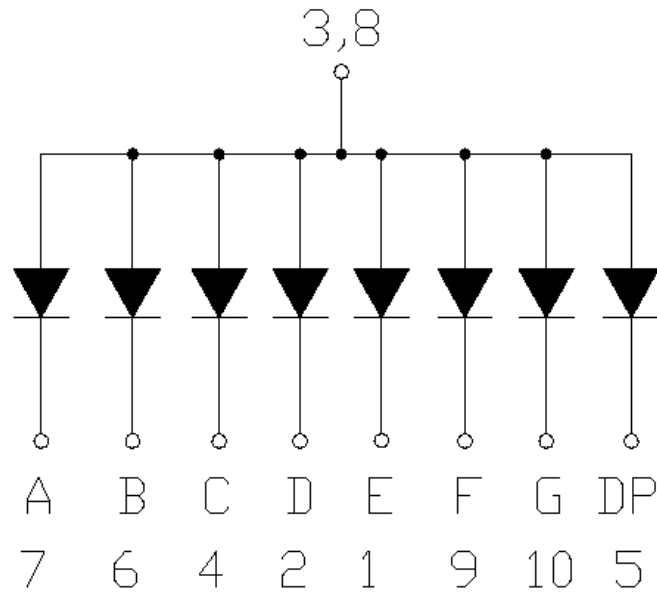
ELECTRICAL/OPTICAL CHARACTERISTIC AT Ta=25°C

PARAMETER	SYMBOL	MIN.	TYP.	MAX.	UNIT	CONDITION
Average Luminous Intensity	Iv		35		mcd	I _F =20mA
Emission Wavelength	λ d		470		nm	I _F =20mA
Forward Voltage Per Seg. & Dot	Vf		3.2	3.8	V	I _F =20mA
Reverse Current Per Seg.	Ir			10	uA	V _R =5V
Luminous Intensity Matching Ratio	Iv-m		2 : 1			I _F =20mA

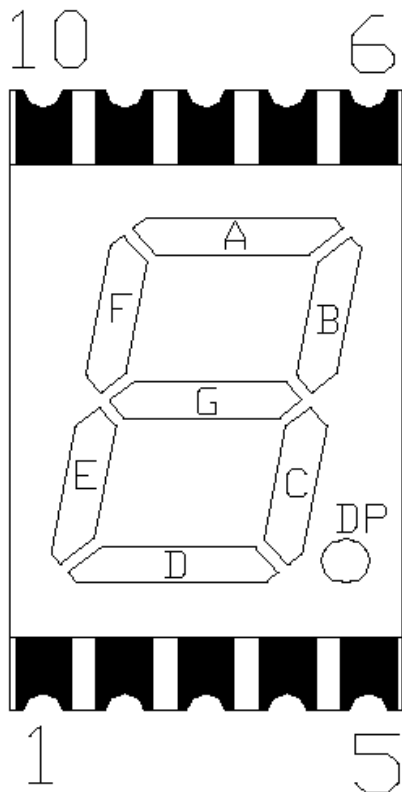


YETDA INDUSTRY LTD.

P.C.B. Pin Connection



Reflector Dimensions

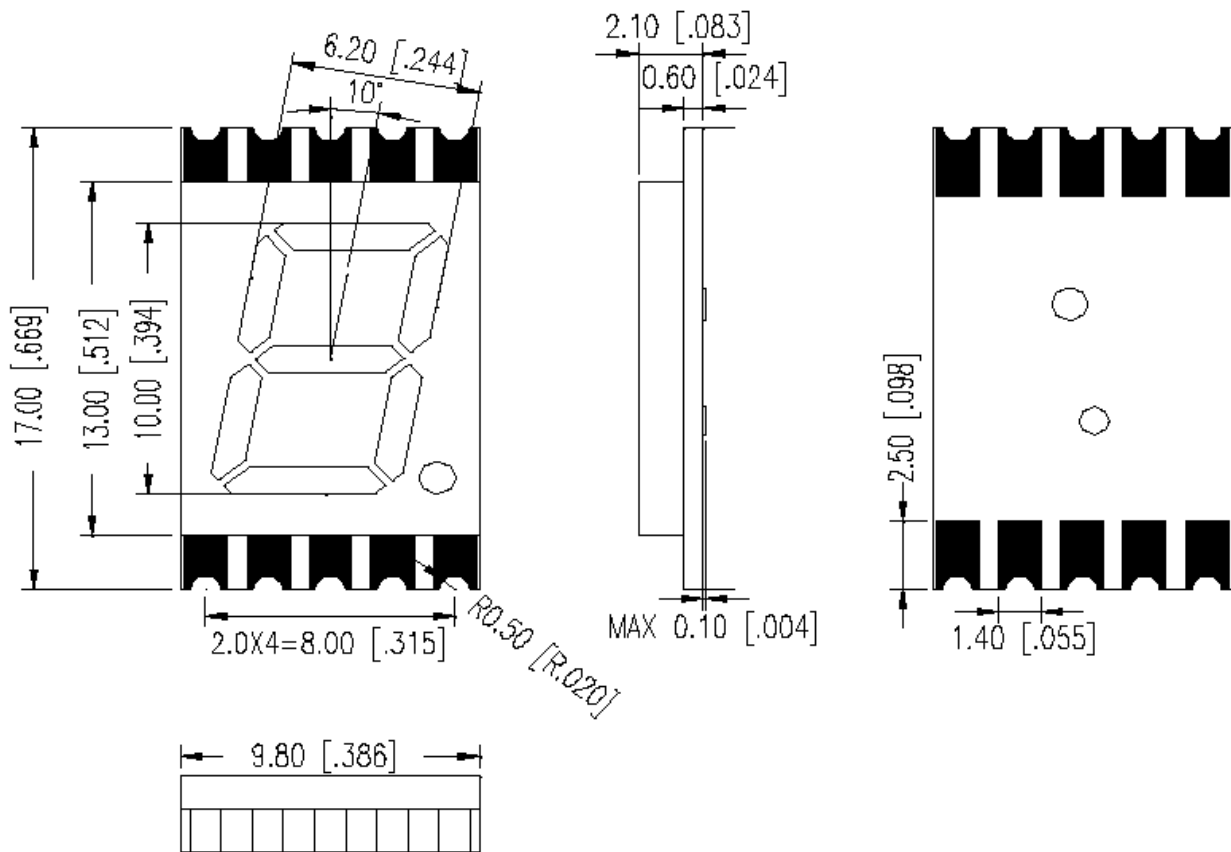


Unit:mm



YETDA INDUSTRY LTD.

Mechanical Dimensions

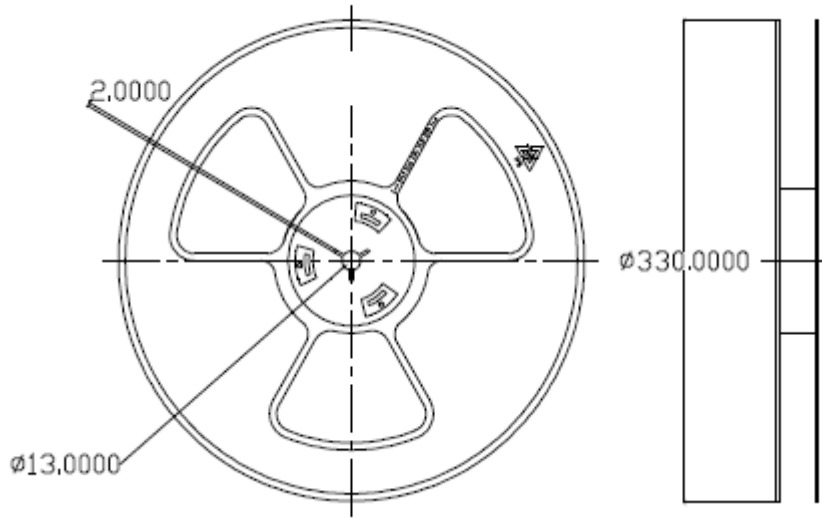


Unit:mm



YETDA INDUSTRY LTD.

REEL DIMENSIONS



PACKING & LABEL SPECIFICATIONS

