



YETDA INDUSTRY LTD.

4" SINGLE DIGIT ORANGE LED DISPLAY

S-40012AE21

DESCRIPTION

- * 4" (101.6mm) Inch Digit Height.
- * Orange Display.
- * Gray Face and White Segment Color.
- * Common Anode.

ABSOLUT MAXIMUM RATINGS AT Ta=25°C

Parameter		UNIT
Power Dissipation Per Seg.	200	mW
Power Dissipation Per Dot	40	
Peak Forward Current Per Seg. & Dot	120	mA
Forward current Per Seg. & Dot (Static)	30	mA
Reverse Voltage Per Seg.	25	V
Reverse Voltage Per Dot	5	
Operation Temperature Range	-25°C TO +80°C	°C
Storage Temperature Range	-25°C TO +100°C	°C
Lead Soldering Temperature	260°C for 3 seconds 1.6mm(1/16 inch) from body	

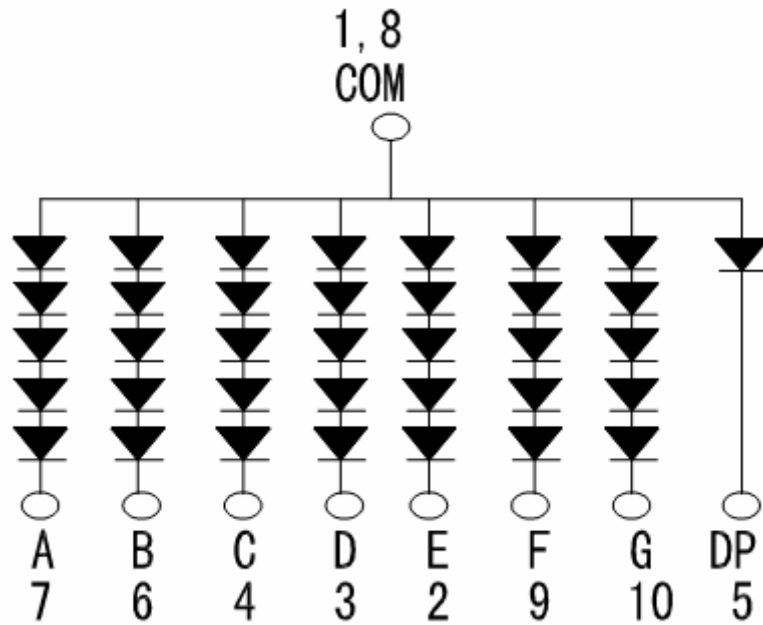
ELECTRICAL/OPTOTICAL CHARACTERISTIC AT Ta=25°C

PARAMETER	SYMBOL	MIN.	TYP.	MAX.	UNIT	CONDITION
Average Luminous Intensity	Iv	6	10		mcd	If=20mA
Peak Emission Wavelength	λd	626	627	628	nm	If=20mA
Forward Voltage Per Seg.	Vf		10.5	13	V	If=20mA
Forward Voltage Per Dot			2.1	2.6		
Reverse Current Per Seg.	Ir			10	uA	Vr=25V
Reverse Current Per Dot						Vr=5V
Luminous Intensity Matching Ratio	Iv-m	2 : 1				If=20mA

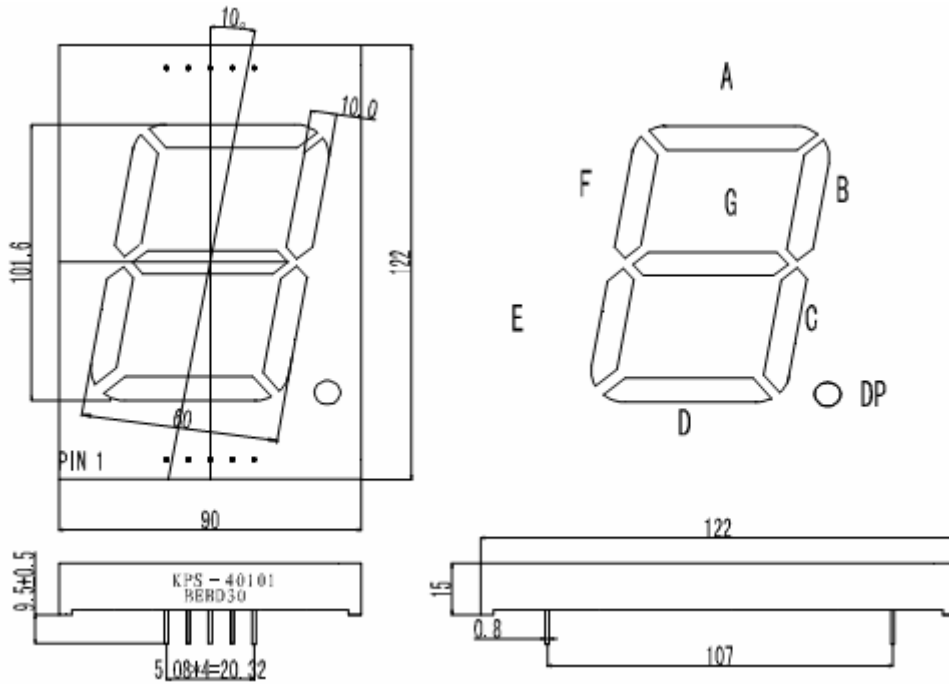


YETDA INDUSTRY LTD.

P.C.B. Pin Connection



Reflector Dimensions



Unit:mm