



YETDA INDUSTRY LTD.

4" SINGLE DIGIT RED LED DISPLAY

S-40014ASK21

DESCRIPTION

- * 4" (101.6mm) Inch Digit Height.
- * High Bright Red Display.
- * Grey Face and White Segment Color.
- * Common Anode.

ABSOLUT MAXIMUM RATINGS AT Ta=25°C

Parameter		UNIT
Power Dissipation Per Seg.	320	mW
Power Dissipation Per Dot	80	
Peak Forward Current Per Seg.	240	mA
Peak Forward Current Per Dot	120	
Forward current Per Seg. (Static)	60	mA
Forward current Per Dot (Static)	30	
Reverse Voltage Per Seg.	20	V
Reverse Voltage Per Dot	10	
Operation Temperature Range	-25°C TO +80°C	°C
Storage Temperature Range	-25°C TO +100°C	°C
Lead Soldering Temperature	260°C for 3 seconds 1.6mm(1/16 inch) from body	

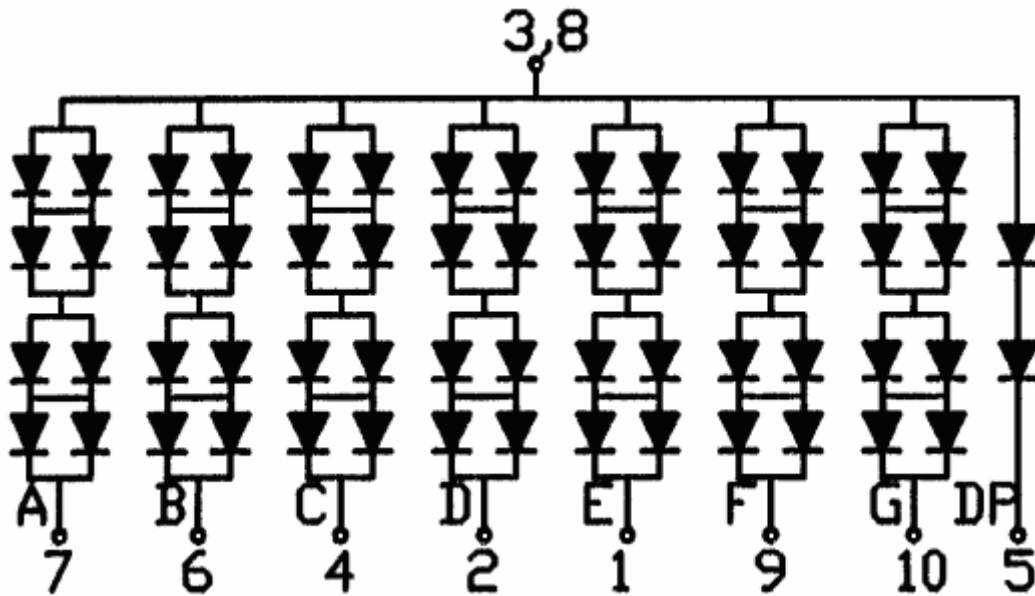
ELECTRICAL/OPTOTICAL CHARACTERISTIC AT Ta=25°C

PARAMETER	SYMBOL	MIN.	TYP.	MAX.	UNIT	CONDITION
Average Luminous Intensity	Iv	4	12		mcd	If=40mA
Emission Wavelength	λ d		660		nm	If=40mA
Forward Voltage Per Seg.	Vf		7.2	8.8	V	If=40mA
Forward Voltage Per Dot			3.6	4.4		If=40mA
Reverse Current Per Seg.	Ir			10	uA	Vr=20V
Reverse Current Per Dot						Vr=10V
Luminous Intensity Matching Ratio	Iv-m		2 : 1			If=40mA

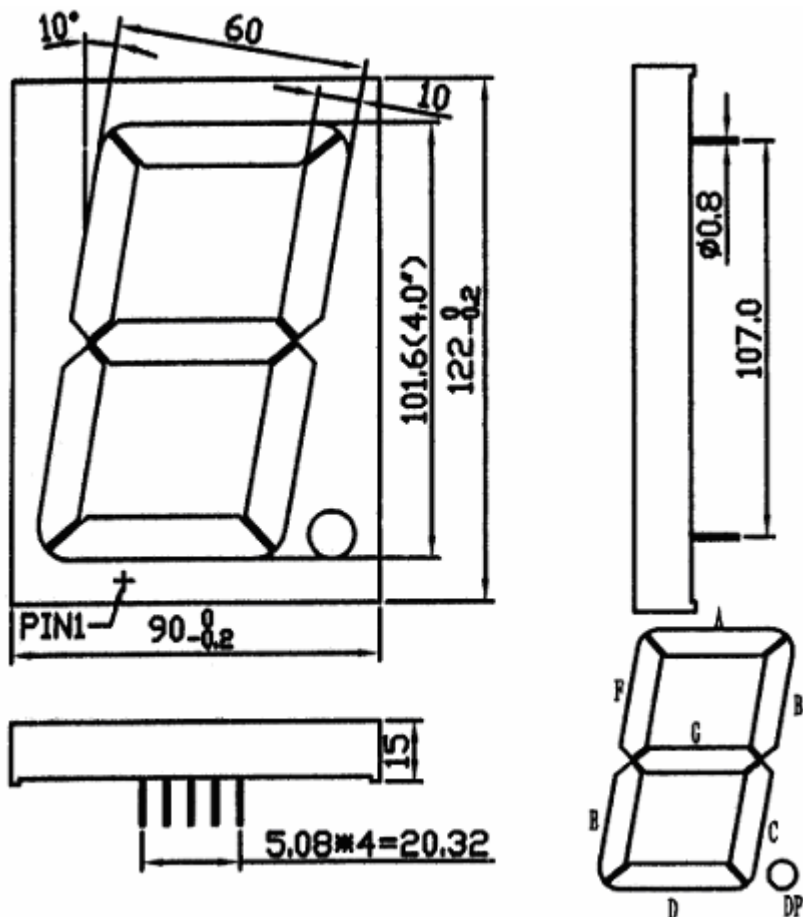


YETDA INDUSTRY LTD.

P.C.B. Pin Connection



Reflector Dimensions



Unit:mm