



# YETDA INDUSTRY LTD.

## 0.5" SINGLE DIGIT WHITE LED DISPLAY

### S-5012AW11

#### DESCRIPTION

- \* 0.5" (12.70mm) Inch Digit Height.
- \* Ultra Bright White Display.
- \* Black Face and White Segment Color.
- \* Common Anode.

#### ABSOLUT MAXIMUM RATINGS AT Ta=25°C

Parameter		UNIT
Power Dissipation Per Seg. & Dot	40	mW
Peak Forward Current Per Seg. & Dot	120	mA
Forward current Per Seg. & Dot (Static)	30	mA
Reverse Voltage Per Seg. & Dot	5	V
Operation Temperature Range	-25°C TO +80°C	°C
Storage Temperature Range	-25°C TO +100°C	°C
Lead Soldering Temperature	260°C for 3 seconds 1.6mm(1/16 inch) from body	

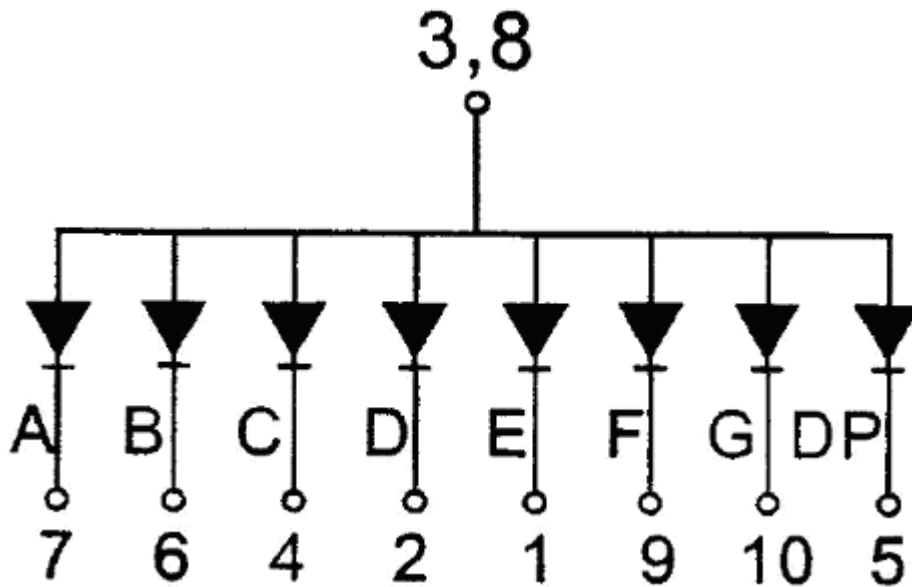
#### ELECTRICAL/OPTOTICAL CHARACTERISTIC AT Ta=25°C

PARAMETER	SYMBOL	MIN.	TYP.	MAX.	UNIT	CONDITION
Average Luminous Intensity	I <sub>v</sub>	60	75		mcd	I <sub>F</sub> =20mA
Chromaticity Coordinate	x		0.29			I <sub>F</sub> =20mA
Chromaticity Coordinate	y		0.30			I <sub>F</sub> =20mA
Forward Voltage Per Seg. & Dot	V <sub>F</sub>		3.2	3.8	V	I <sub>F</sub> =20mA
Reverse Current Per Seg. & Dot	I <sub>R</sub>			10	uA	V <sub>R</sub> =5V
Luminous Intensity Matching Ratio	I <sub>v</sub> -m	2 : 1				I <sub>F</sub> =20mA

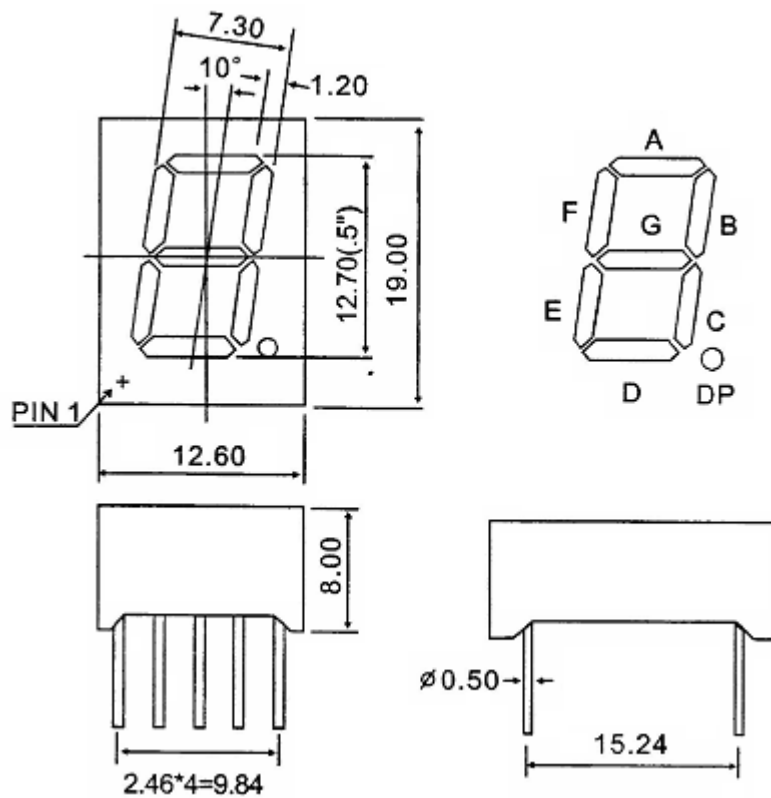


YETDA INDUSTRY LTD.

### P.C.B. Pin Connection



### Reflector Dimensions



Unit:mm