



# YETDA INDUSTRY LTD.

## 0.56" SINGLE RED DIGIT SMD LED DISPLAY

### S-5612AUF21-H-SMD

#### DESCRIPTION

- \* 0.56" (14.2mm) Inch Digit Height.
- \* Super Bright Red Display.
- \* Gray Face and White Segment Color.
- \* Common Anode.

#### ABSOLUT MAXIMUM RATINGS AT Ta=25°C

Parameter		UNIT
Power Dissipation Per Seg. & Dot	70	mW
Peak Forward Current Per Seg. & Dot	90	mA
Forward current Per Seg. & Dot (Static)	25	mA
Reverse Voltage Per Seg. & Dot	5	V
Operation Temperature Range	-25°C TO +80°C	°C
Storage Temperature Range	-25°C TO +100°C	°C
Lead Soldering Temperature	260°C for 3 seconds 1.6mm(1/16 inch) from body	

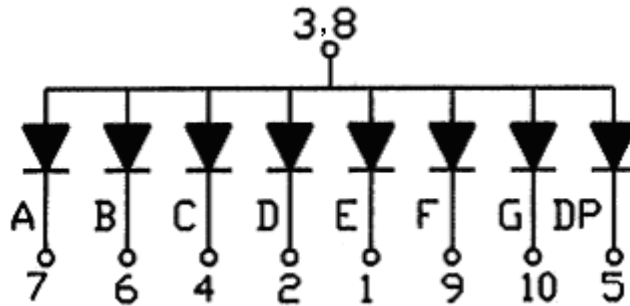
#### ELECTRICAL/OPTOTICAL CHARACTERISTIC AT Ta=25°C

PARAMETER	SYMBOL	MIN.	TYP.	MAX.	UNIT	CONDITION
Average Luminous Intensity	Iv		30		mcd	If=10mA
Emission Wavelength	$\lambda d$		625		nm	If=10mA
Forward Voltage Per Seg. & Dot	Vf		2.0	2.4	V	If=10mA
Reverse Current Per Seg.	Ir			10	uA	Vr=5V
Luminous Intensity Matching Ratio	Iv-m		2 : 1			If=20mA

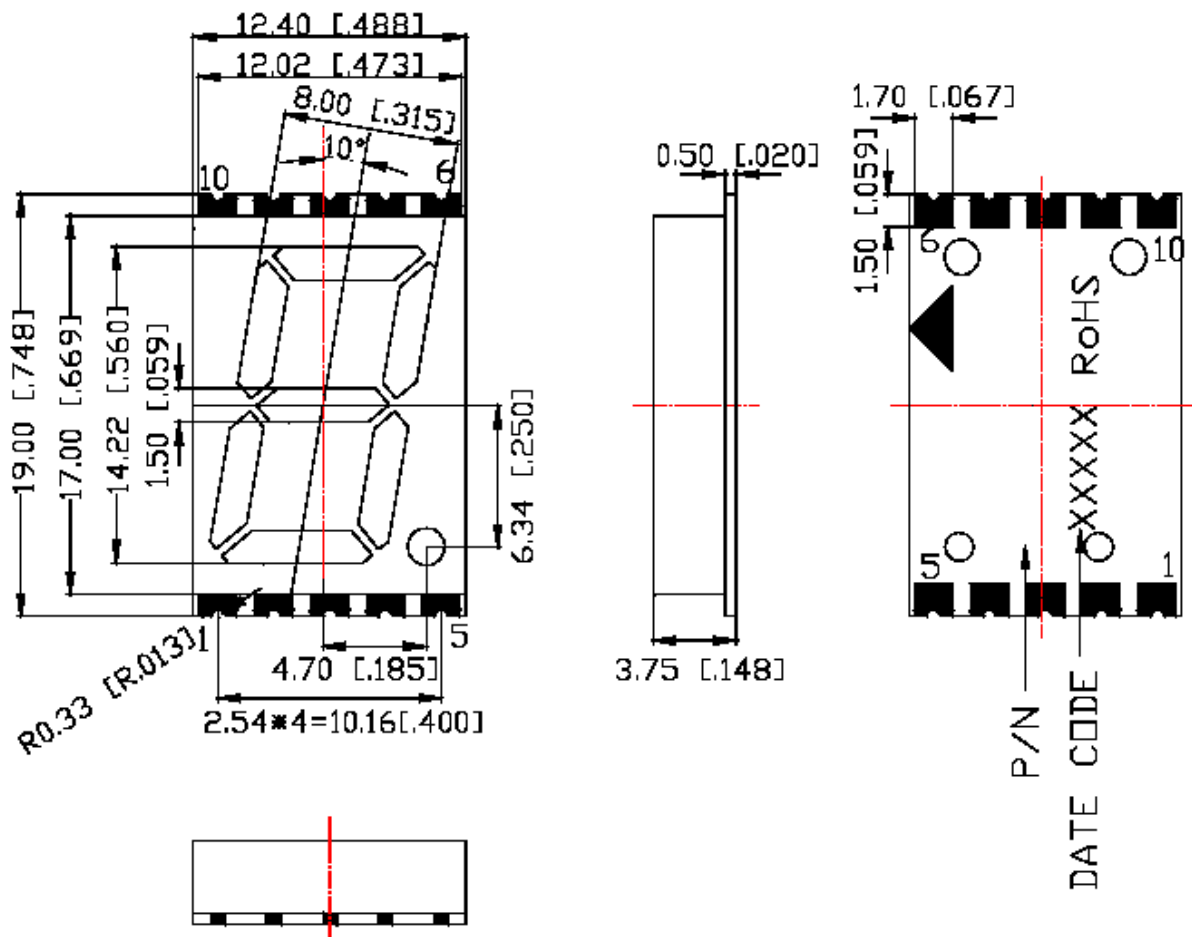


YETDA INDUSTRY LTD.

**P.C.B. Pin Connection**



**Reflector Dimensions**



Unit:mm