



YETDA INDUSTRY LTD.

6" SINGLE DIGIT RED LED DISPLAY

S-60012AUF11

DESCRIPTION

- * 6" (152.4mm) Inch Digit Height.
- * High Bright Red Display.
- * Black Face and White Segment Color.
- * Common Anode.

ABSOLUT MAXIMUM RATINGS AT Ta=25°C

Parameter		UNIT
Power Dissipation Per Seg.	560	mW
Power Dissipation Per Dot	200	
Peak Forward Current Per Seg.	240	mA
Peak Forward Current Per Dot	120	
Forward current Per Seg. (Static)	60	mA
Forward current Per Dot (Static)	30	
Reverse Voltage Per Seg.	35	V
Reverse Voltage Per Dot	25	
Operation Temperature Range	-25°C TO +80°C	°C
Storage Temperature Range	-25°C TO +100°C	°C
Lead Soldering Temperature	260°C for 3 seconds 1.6mm(1/16 inch) from body	

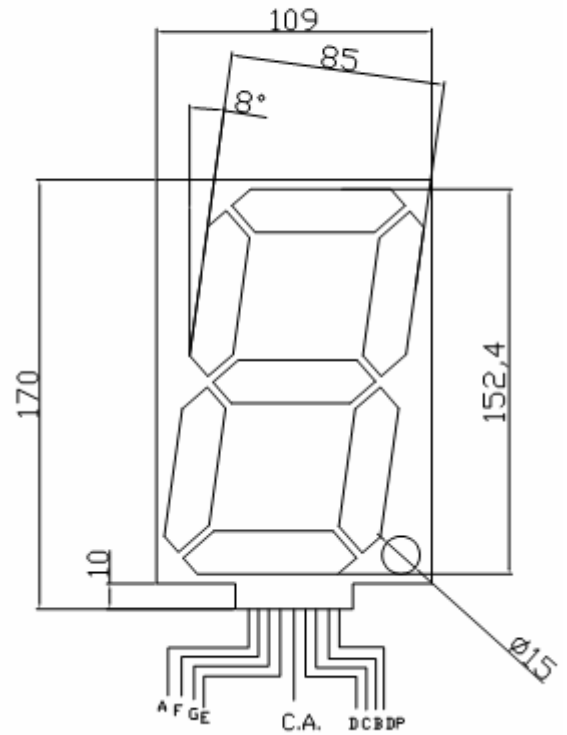
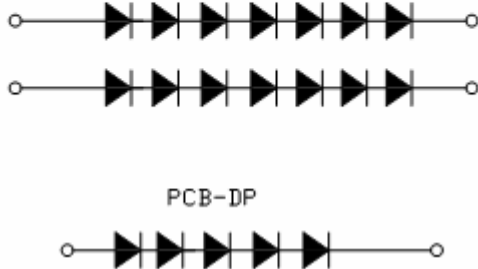
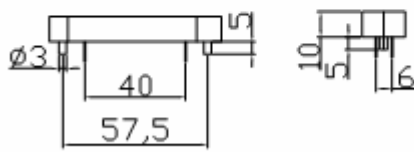
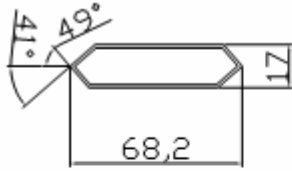
ELECTRICAL/OPTOTICAL CHARACTERISTIC AT Ta=25°C

PARAMETER	SYMBOL	MIN.	TYP.	MAX.	UNIT	CONDITION
Average Luminous Intensity	Iv	10	12		mcd	If=40mA
Emission Wavelength	λ d		625		nm	If=40mA
Forward Voltage Per Seg.	Vf		14	16.8	V	If=40mA
Forward Voltage Per Dot			10	12		If=20mA
Reverse Current Per Seg.	Ir			10	uA	Vr=35V
Reverse Current Per Dot						Vr=25V
Luminous Intensity Matching Ratio	Iv-m		2 : 1			If=40mA



YETDA INDUSTRY LTD.

P.C.B. Pin Connection & Reflector Dimensions



Unit:mm