



YETDA INDUSTRY LTD.

7" SINGLE DIGIT RED LED DISPLAY

S-70012AUF11

DESCRIPTION

- * 7" (176mm) Inch Digit Height.
- * Super Bright Red Display.
- * Black Face and White Segment Color.
- * Common Anode.

ABSOLUT MAXIMUM RATINGS AT Ta=25°C

Parameter		UNIT
Power Dissipation Per Seg.	840	mW
Power Dissipation Per Dot	360	
Peak Forward Current Per Seg.	360	mA
Peak Forward Current Per Dot	120	
Forward current Per Seg. (Static)	90	mA
Forward current Per Dot (Static)	30	
Reverse Voltage Per Seg.	35	V
Reverse Voltage Per Dot	45	
Operation Temperature Range	-25°C TO +80°C	°C
Storage Temperature Range	-25°C TO +100°C	°C
Lead Soldering Temperature	260 for 3 seconds 1.6mm(1/16 inch) from body	

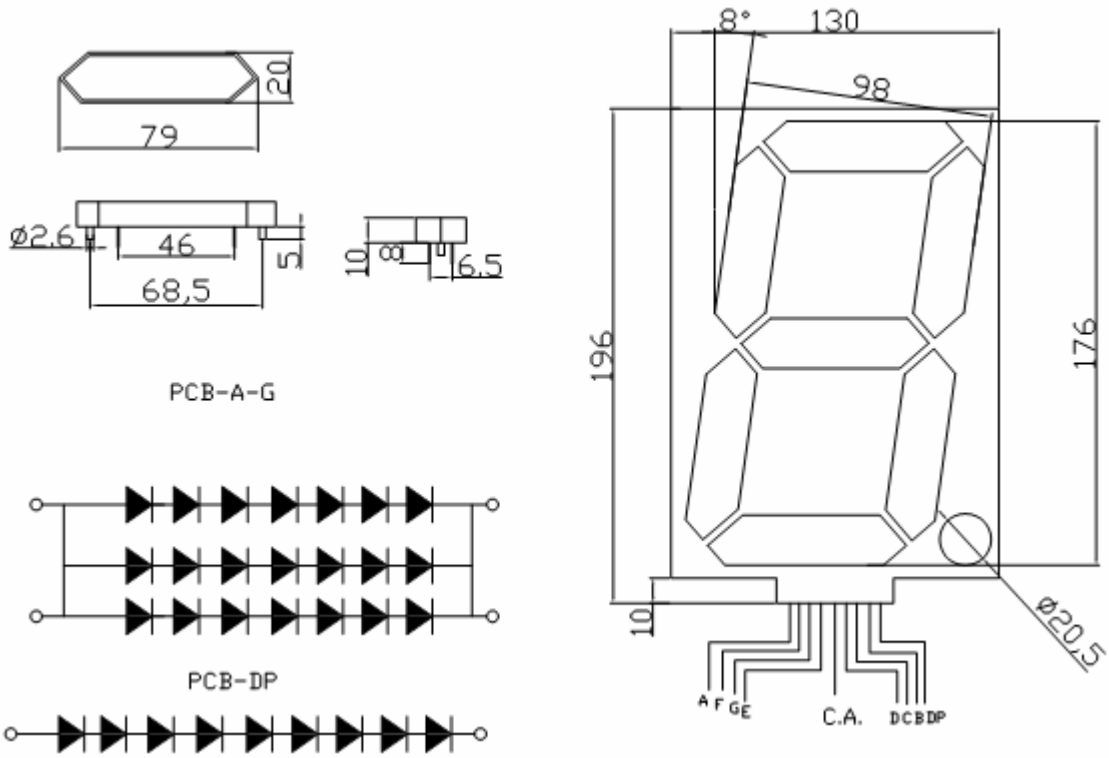
ELECTRICAL/OPTOTICAL CHARACTERISTIC AT Ta=25°C

PARAMETER	SYMBOL	MIN.	TYP.	MAX.	UNIT	CONDITION
Average Luminous Intensity	Iv	50	60		mcd	If=60mA
Emission Wavelength	d		625		nm	If=60mA
Forward Voltage Per Seg.	Vf		14	16.8	V	If=60mA
Forward Voltage Per Dot			18	21.6		If=20mA
Reverse Current Per Seg.	Ir			10	uA	Vr=35V
Reverse Current Per Dot						Vr=45V
Luminous Intensity Matching Ratio	Iv-m		2 : 1			If=60mA



YETDA INDUSTRY LTD.

P.C.B. Pin Connection & Reflector Dimensions



Unit:mm