



# YETDA INDUSTRY LTD.

## 8" SINGLE DIGIT RED LED DISPLAY

### S-80012AUF11

#### DESCRIPTION

- \* 8" (203.2mm) Inch Digit Height.
- \* High Bright Red Display.
- \* Black Face and White Segment Color.
- \* Common Anode.

#### ABSOLUT MAXIMUM RATINGS AT Ta=25°C

Parameter		UNIT
Power Dissipation Per Seg.	1400	mW
Power Dissipation Per Dot	360	
Peak Forward Current Per Seg.	600	mA
Peak Forward Current Per Dot	120	
Forward current Per Seg. (Static)	150	mA
Forward current Per Dot (Static)	30	
Reverse Voltage Per Seg.	35	V
Reverse Voltage Per Dot	45	
Operation Temperature Range	-25°C TO +80°C	°C
Storage Temperature Range	-25°C TO +100°C	°C
Lead Soldering Temperature	260°C for 3 seconds 1.6mm(1/16 inch) from body	

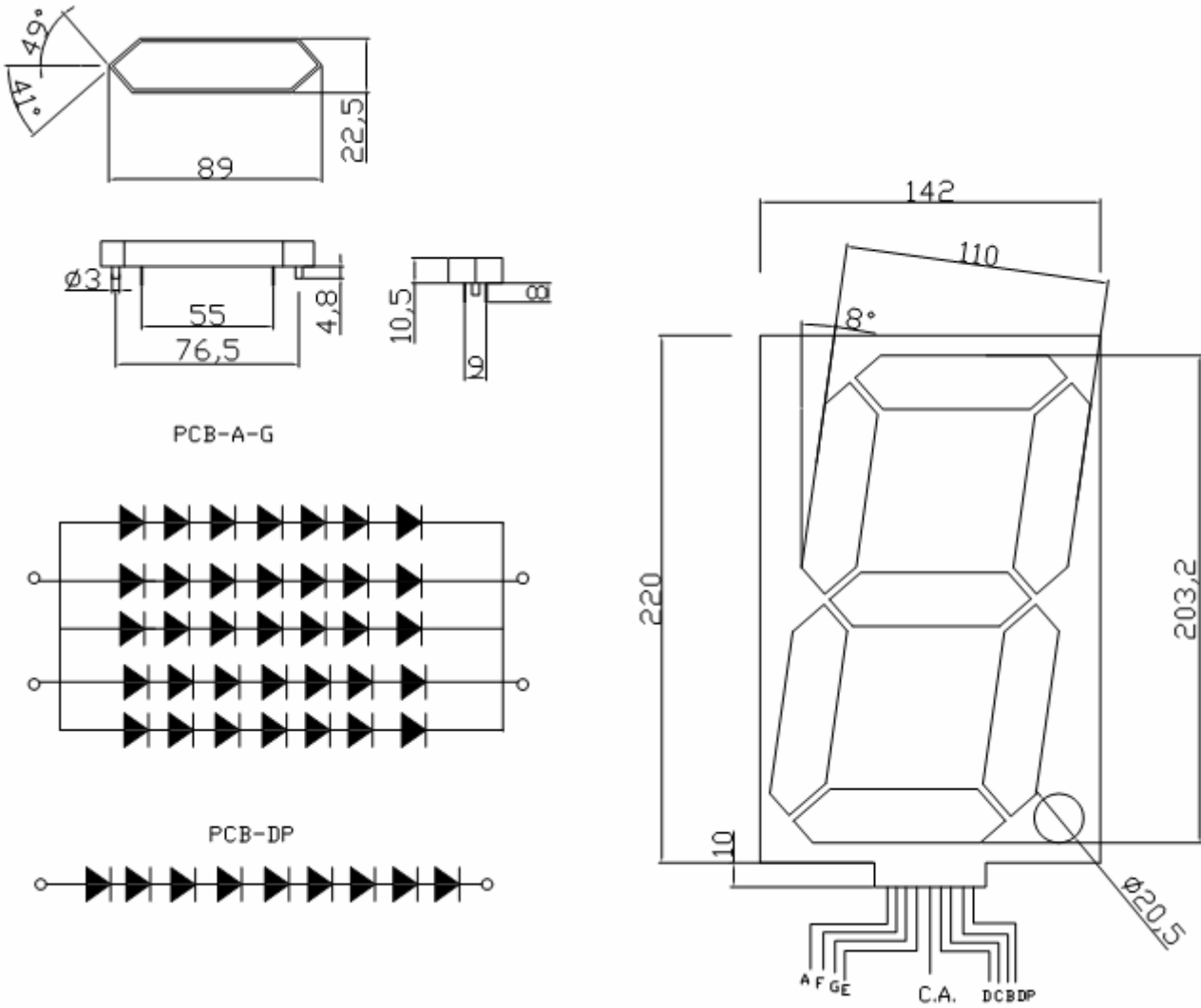
#### ELECTRICAL/OPTOTICAL CHARACTERISTIC AT Ta=25°C

PARAMETER	SYMBOL	MIN.	TYP.	MAX.	UNIT	CONDITION
Average Luminous Intensity Per Seg.	Iv	13	15		mcd	If=100mA
Peak Emission Wavelength Per Seg.	$\lambda d$		625		nm	If=100mA
Forward Voltage Per Seg.	Vf		14	16.8	V	If=100mA
Forward Voltage Per Dot			18	21.6		If=20mA
Reverse Current Per Seg.	Ir			10	uA	Vr=35V
Reverse Current Per Dot						Vr=45V
Luminous Intensity Matching Ratio	Iv-m		2 : 1			If=100mA



YETDA INDUSTRY LTD.

### P.C.B. Pin Connection & Reflector Dimensions



Unit:mm