



YETDA INDUSTRY LTD.

0.8" SINGLE DIGIT RED & GREEN LED DISPLAY S-8012AUFGEF11

DESCRIPTION

- * 0.8" (20.40mm) Inch Digit Height.
- * Super Bright Red & Green Display.
- * Black Face and White Segment Color.
- * Common Anode.

ABSOLUT MAXIMUM RATINGS AT Ta=25°C

Parameter		UNIT
Power Dissipation Per Seg.	50	mW
Peak Forward Current Per Seg.	60	mA
Forward current Per Seg.	20	mA
Reverse Voltage Per Seg.	5	V
Operation Temperature Range	-20°C TO +80°C	°C
Storage Temperature Range	-20°C TO +85°C	°C
Lead Soldering Temperature	260°C for 3 seconds 1.6mm(1/16 inch) from body	

ELECTRICAL/OPTOTICAL CHARACTERISTIC AT Ta=25°C

RED

PARAMETER	SYMBOL	MIN.	TYP.	MAX.	UNIT	CONDITION
Average Luminous Intensity	Iv	50		70	mcd	If=20mA
Emission Wavelength	λd	629		635	nm	If=20mA
Forward Voltage Per Seg.	Vf	1.8	2.0	2.5	V	If=20mA
Forward Voltage Per Dot	Vf		2.0		V	If=20mA
Reverse Current Per Seg.	Ir			50	uA	Vr=20V
Reverse Current Per Dot	Ir			10	uA	Vr=10V
Luminous Intensity Matching Ratio	Iv-m	2 : 1				If=20mA



YETDA INDUSTRY LTD.

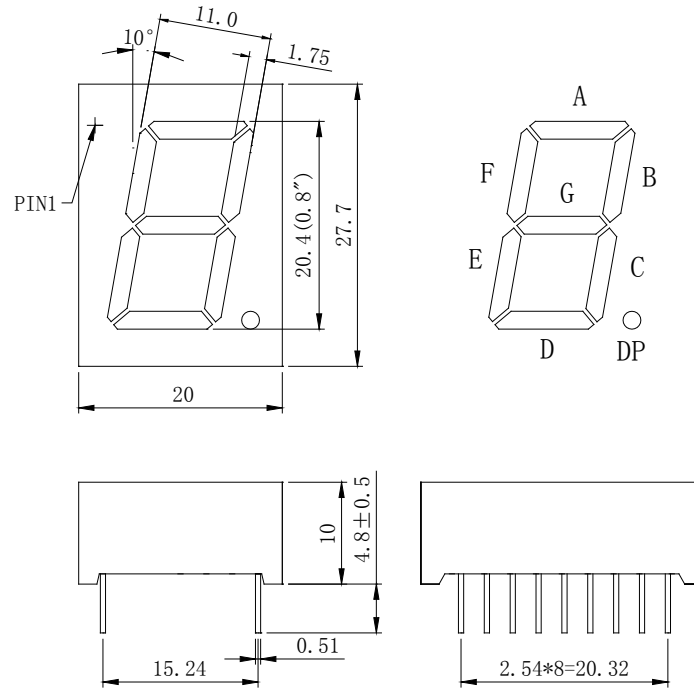
ELECTRICAL/OPTOTICAL CHARACTERISTIC AT Ta=25°C GREEN

PARAMETER	SYMBOL	MIN.	TYP.	MAX.	UNIT	CONDITION
Average Luminous Intensity	Iv	40	50		mcd	If=20mA
Emission Wavelength	λd	568		573	nm	If=20mA
Forward Voltage Per Seg.	Vf	1.8	2.0	2.5	V	If=20mA
Forward Voltage Per Dot	Vf		2.0		V	If=20mA
Reverse Current Per Seg.	Ir			50	uA	Vr=20V
Reverse Current Per Dot	Ir			10	uA	Vr=10V
Luminous Intensity Matching Ratio	Iv-m			2 : 1		If=20mA



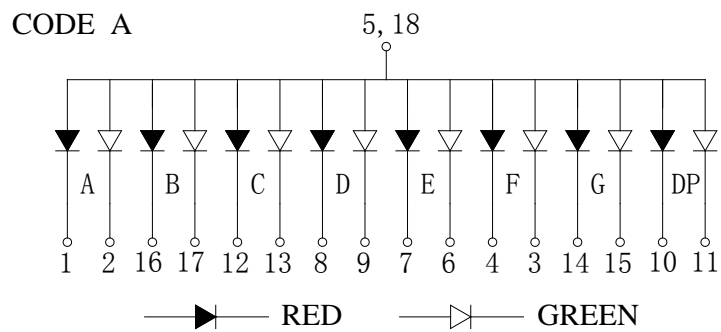
YETDA INDUSTRY LTD.

Reflector Dimensions



Unit:mm

P.C.B. Pin Connection



2016AUG14Y