



# YETDA INDUSTRY LTD.

## 0.8" SINGLE DIGIT GREEN ALPHANUMERIC DISPLAY

### S-8014RGU21

#### DESCRIPTION

- \* 0.8" (20.32mm) Inch Digit Height.
- \* High Bright Green Display.
- \* Grey Face and White Segment Color.
- \* Common Anode.

#### ABSOLUT MAXIMUM RATINGS AT Ta=25°C

Parameter		UNIT
Power Dissipation Per Seg. & Dot	40	mW
Peak Forward Current Per Seg. & Dot	120	mA
Forward current Per Seg. & Dot (Static)	30	mA
Reverse Voltage Per Seg. & Dot	5	V
Operation Temperature Range	-25°C TO +80°C	°C
Storage Temperature Range	-25°C TO +100°C	°C
Lead Soldering Temperature	260°C for 3 seconds 1.6mm(1/16 inch) from body	

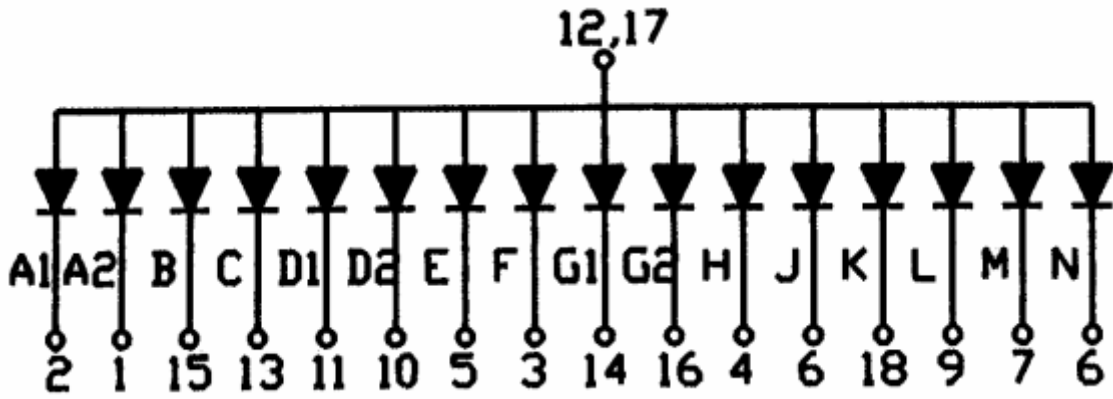
#### ELECTRICAL/OPTOTICAL CHARACTERISTIC AT Ta=25°C

PARAMETER	SYMBOL	MIN.	TYP.	MAX.	UNIT	CONDITION
Average Luminous Intensity	Iv	6	9		mcd	If=20mA
Emission Wavelength	$\lambda d$		573		nm	If=20mA
Forward Voltage Per Seg. & Dot	Vf		2.2	2.6	V	If=20mA
Reverse Current Per Seg.	Ir			10	uA	Vr=5V
Luminous Intensity Matching Ratio	Iv-m	2 : 1				If=20mA

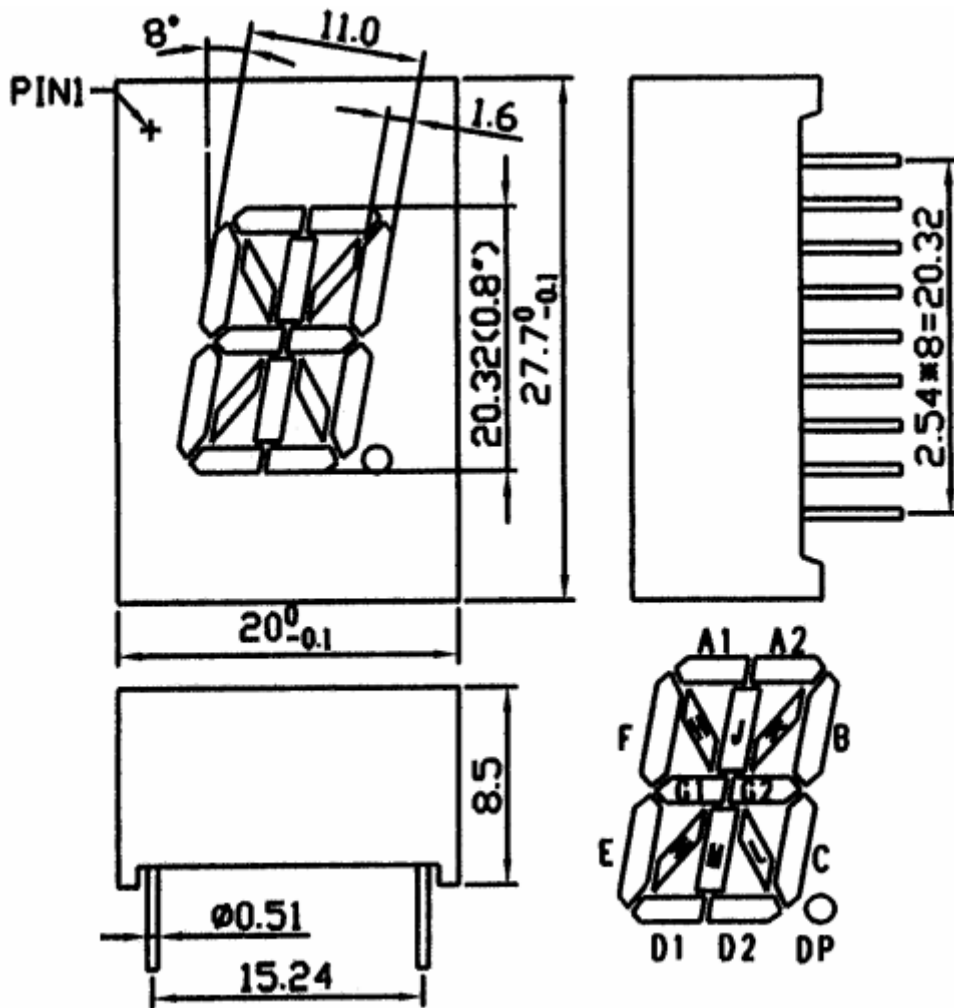


YETDA INDUSTRY LTD.

### P.C.B. Pin Connection



### Reflector Dimensions



Unit:mm