



YETDA INDUSTRY LTD.

0.8" SINGLE DIGIT RED LED DISPLAY

S-8016BUF21

DESCRIPTION

- * 0.8" (20.32mm) Inch Digit Height.
- * Super Bright Red Display.
- * Grey Face and White Segment Color.
- * Common Anode.

ABSOLUT MAXIMUM RATINGS AT Ta=25°C

Parameter		UNIT
Power Dissipation Per Seg. & Dot	40	mW
Peak Forward Current Per Seg. & Dot	120	mA
Forward current Per Seg. & Dot (Static)	30	mA
Reverse Voltage Per Seg. & Dot	5	V
Operation Temperature Range	-25°C TO +80°C	°C
Storage Temperature Range	-25°C TO +100°C	°C
Lead Soldering Temperature	260°C for 3 seconds 1.6mm(1/16 inch) from body	

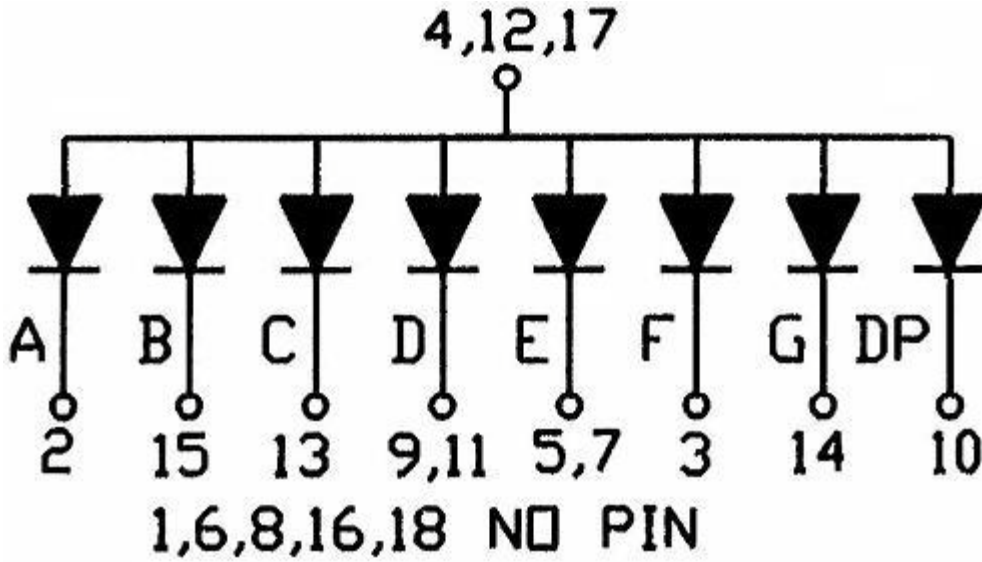
ELECTRICAL/OPTOTICAL CHARACTERISTIC AT Ta=25°C

PARAMETER	SYMBOL	MIN.	TYP.	MAX.	UNIT	CONDITION
Average Luminous Intensity	I _v	50	60		mcd	I _F =20mA
Emission Wavelength	λ _D		625		nm	I _F =20mA
Forward Voltage Per Seg. & Dot	V _F		2.0	2.4	V	I _F =20mA
Reverse Current Per Seg.	I _R			10	uA	V _R =5V
Luminous Intensity Matching Ratio	I _v -m		2 : 1			I _F =20mA

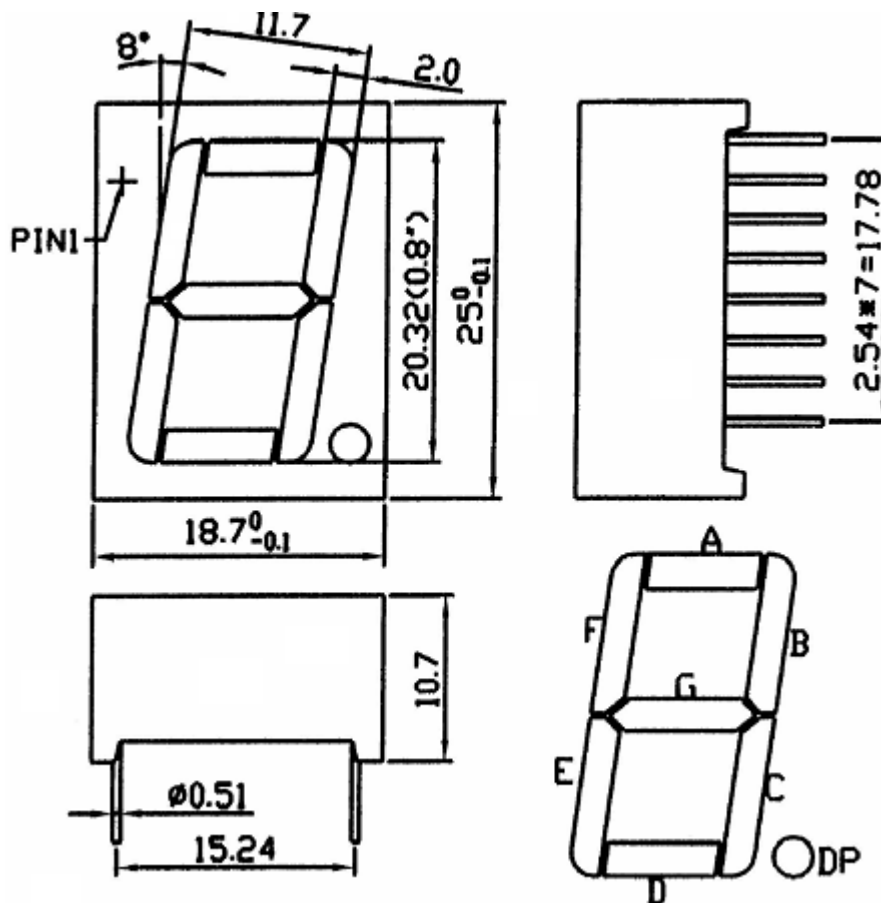


YETDA INDUSTRY LTD.

P.C.B. Pin Connection



Reflector Dimensions



Unit:mm