



# YETDA INDUSTRY LTD.

## Technical Data Sheet

**MODEL NO : S170ANB4**

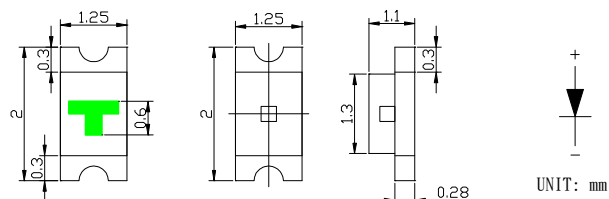
**0805Package 2\*1.25mm Chip LEDs**

### Features :

- Package in 8mm tape on 7" diameter reel
- Compatible with automatic placement equipment
- Compatible with reflow solder process

### Applications :

- Indicators
- Automotive : backlighting in dashboard and switch
- Backlight for LCD



<b>Dice material</b>	<b>Emitted color</b>	<b>Lens Color</b>
InGaN	Blue	Water Clear

### Electrical/Optical Characteristics(Ta=25°C)

Parameter	Symbol	Condition	Min	Typ.	Max	Unit
Luminous Intensity	I <sub>v</sub>	IF=20mA	40	180		mcd
Dominant Wavelength	λ <sub>D</sub>	IF=20mA		470		nm
Peak Emission Wavelength	λ <sub>p</sub>	IF=20mA		472		nm
Viewing Angle	2θ <sub>1/2</sub>	IF=20mA		130		Deg
Forward Voltage	V <sub>F</sub>	IF=20mA		3.2	3.8	V
Reverse Current	I <sub>R</sub>	VR=5V			10	μA

### Absolute Maximum Ratings(Ta=25°C)

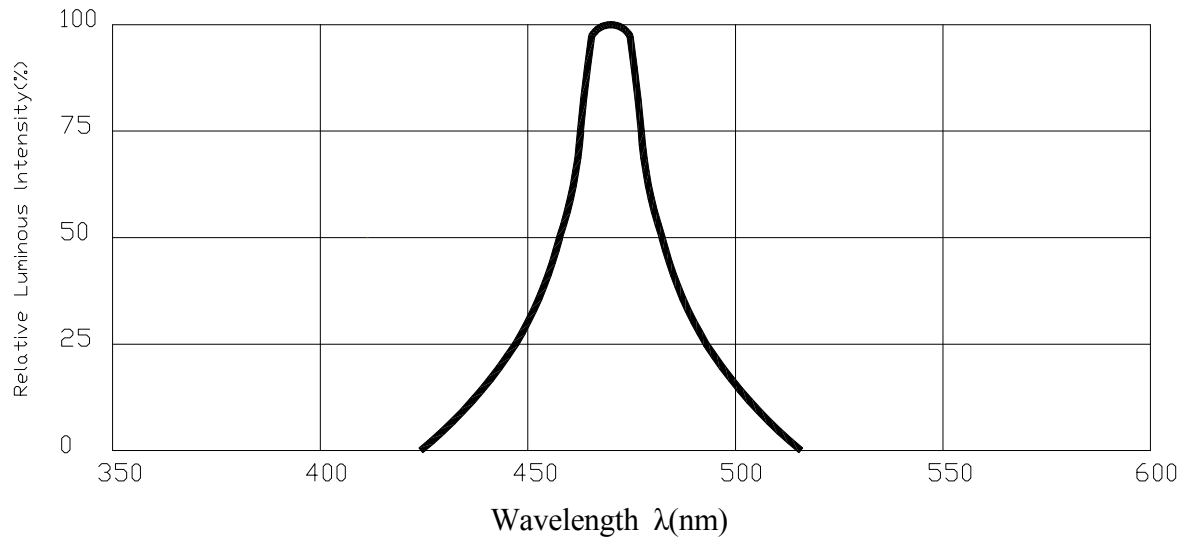
Parameter	Symbol	Maximum	Unit
Power Dissipation	P <sub>d</sub>	78	mW
Peak Forward Current(1/10 Duty Cycle 0.1ms Pulse Width)	IF(Peak)	100	mA
Continuous Forward Current	IF	30	mA
Reverse Voltage	VR	5	V
Derating Linear From 25°C		0.3	mA/°C
Operating Temperature Range	Topr	-30 to +80	°C
Storage Temperature Range	Tstg	-40 to +90	°C

20090727

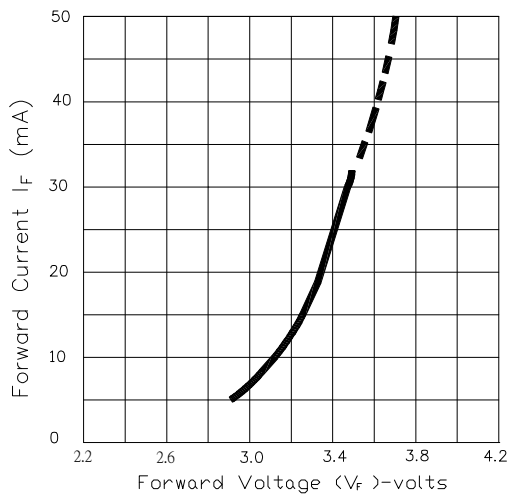


# YETDA INDUSTRY LTD.

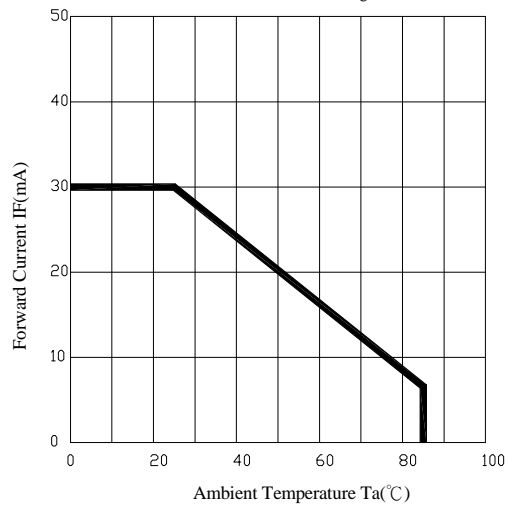
### Spectrum Distribution



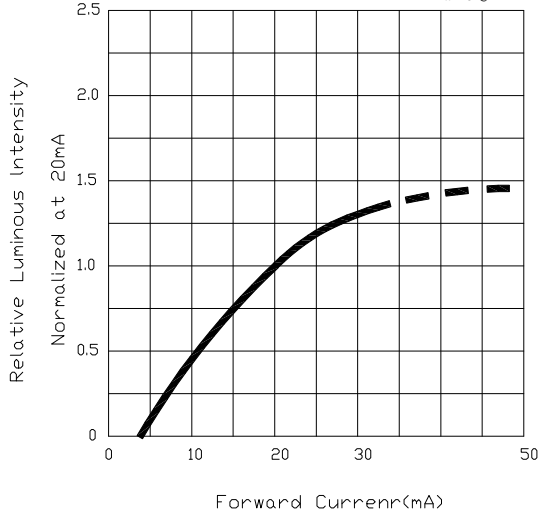
### Forward Current Vs. Forward Voltage Ta=25°C



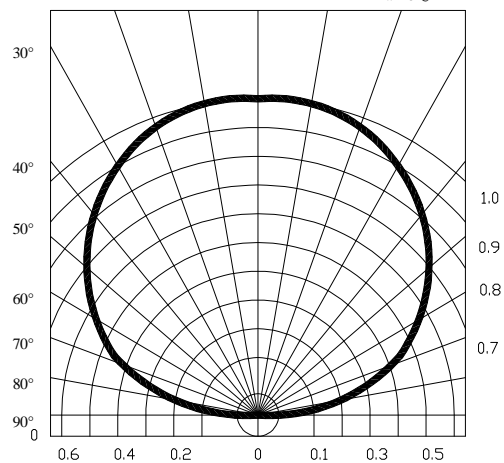
### Forward Current Derating Curve



### Luminous Intensity Vs. Forward Current Ta=25°C



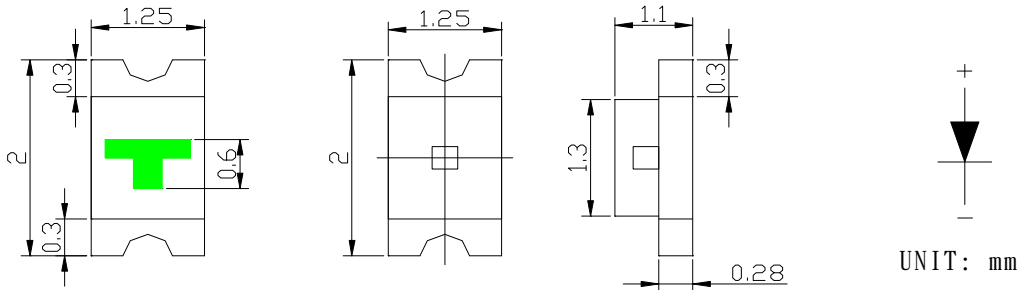
### Radiation Diagram Ta=25°C



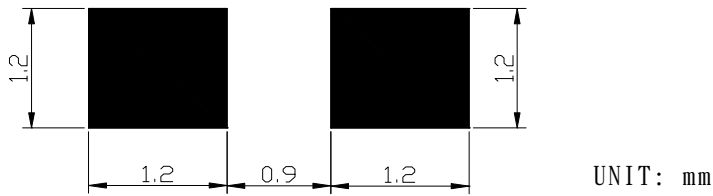


# YETDA INDUSTRY LTD.

## ● Package Dimensions



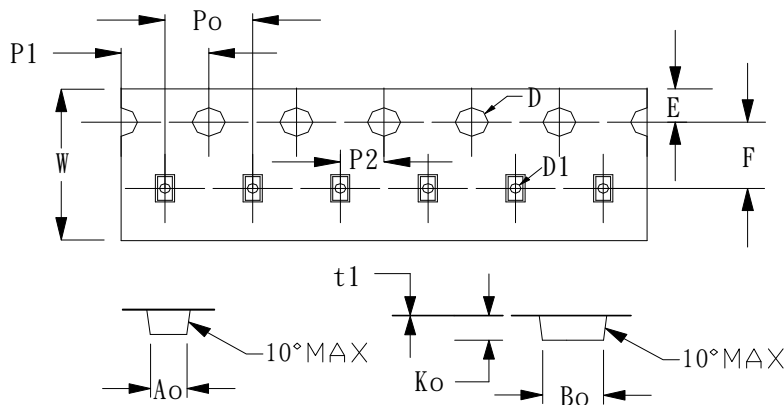
## ● Paecommended Soldering Pattern



## ● Tape Specification : 3000pcs Per Reel

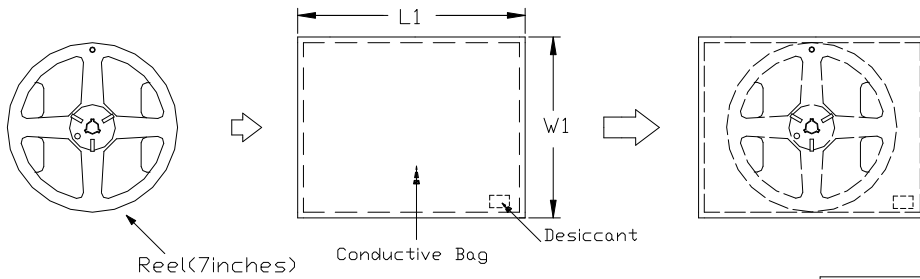
Packing Size													
Item	W	P1	E	F	D	D1	Po	10Po	P2	Ao	Bo	Ko	t
Spec.	8.00	4.00	1.75	3.50	1.5	1.0	4.00	40.00	2.00	1.42	2.24	1.04	0.254
Tolerance	±0.20	±0.10	±0.10	±0.05	+0.1	+0.25	±0.1	±0.20	±0.05	±0.10	±0.10	±0.10	±0.02

## ● Tape Specifications



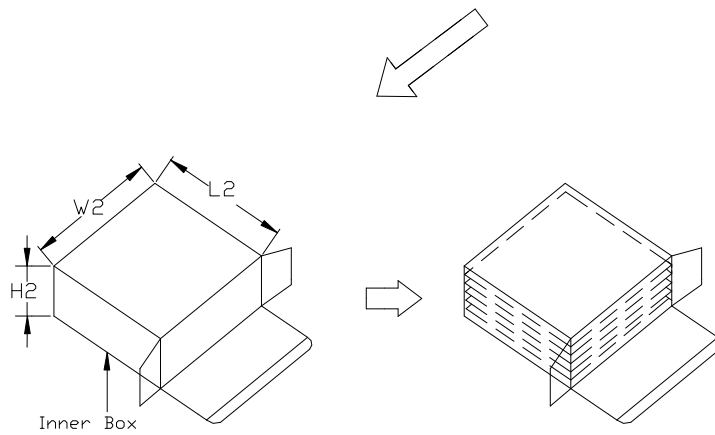


# YETDA INDUSTRY LTD.



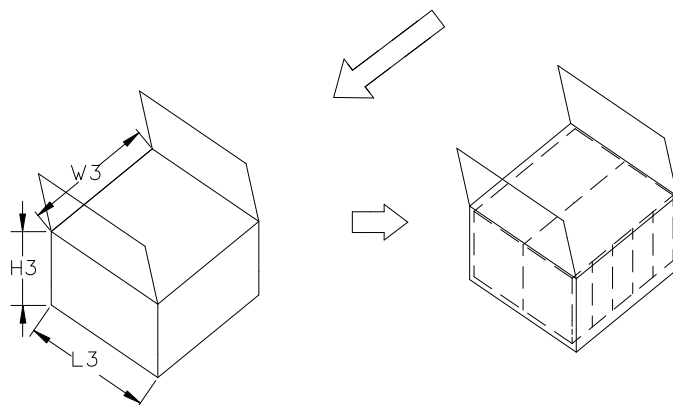
Dimension	L1	W1
Spec.	253	224

Unit : mm



Dimension	L2	W2	H2
Outside	220	190	60
Inside	219.5	189.5	59.5

Unit : mm



Dimension	L3	W3	H3
Outside	395	320	240
Inside	382	307	227

Unit : mm



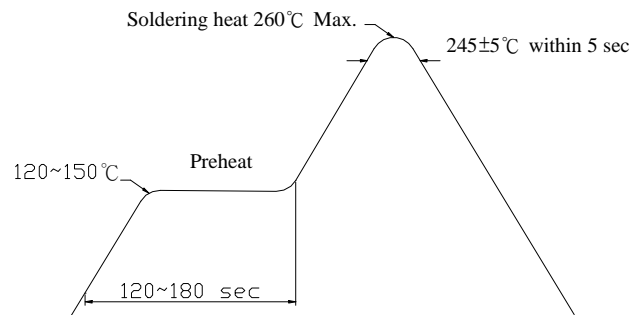
# YETDA INDUSTRY LTD.

## ● Descriptions :

- The Chip-LED Taping is much smaller than lead frame type components, thus enable smaller board size, higher packing density, reduced storage space and finally smaller equipment to be obtained.
- Besides, lightweight makes them ideal for miniature application, etc.

## ● Soldering heat reliability (DIP) :

Please refer to the following figure :



## ● Precautions For Use :

- Over - current - proof

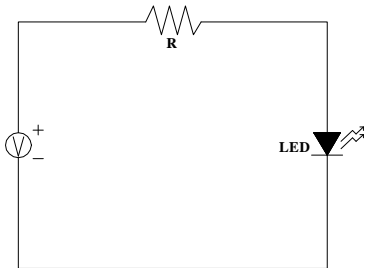
Customer must apply resistors for protection, otherwise slight voltage shift will cause big current change (Burn out will happen)

- Storage

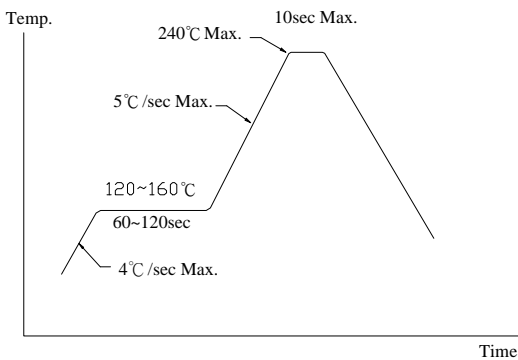
1. The operation of temperature and R.H. are :  $5^{\circ}\text{C} \sim 30^{\circ}\text{C}$ , 60%R.H. Max..
2. Once the package is opened, the products should be used within a week. Otherwise, they should be kept in a dampproof box with desiccating reagent. Considering the tape life, we suggest our customers to use our products within 1.5 year (from production date) .
3. It's recommended to bake before soldering when the package is unsealed after 72 hrs. The condition is :  $60^{\circ}\text{C} \pm 5^{\circ}\text{C}$  for 15hrs.



● Test Circuit



● Reflow Temp. / Time :



● Reliability Test Items And Conditions

The reliability of products shall be satisfied with items listed below.

No.	Items	Test Condition	Test Hours/Cycles	Sample Size
1	Solder Heat	TEMP : 260°C±5°C	5 sec	48 pcs
2	Temperature Cycle	90°C ~ 25°C ~ -30°C ~ 25°C 30m 5m 30m 5m	300Cycles	48 Pcs
3	Thermal Shick	100°C ~ -55°C 10m 10m	100Cycles	48 Pcs
4	Operation Life	If=20mA	1000 Hrs	48 Pcs
5	High Temperature Storage	Temp:90°C	1000Hrs	48 Pcs
6	Low Temperature Storage	Temp:-30°C	1000Hrs	48 Pcs
7	High Temperature/High Humidity	80°C / R.H80%	1000Hrs	48 Pcs