



YETDA INDUSTRY LTD.

Technical Data Sheet

MODEL NO : S3030ANB4P-6V-PLK

3030 Package 3.0*3.0*0.6mm Top LEDs

Features :

- Package in 8mm tape on 7" diameter reel
- Compatible with automatic placement equipment
- Compatible with reflow solder process

Applications :

- Indicators
- Automotive : backlighting in dashboard and switch
- Backlight for LCD

Dice material	Emitted color	Lens Color
InGaN	Blue	Water Clear

Electrical/Optical Characteristics(Ta=25°C)

Parameter	Test Condition	Symbol	Value			Unit
			Min	Typ	Max	
Wavelength	I _F =150mA	λ_d	450	460		nm
Forward voltage	I _F =150mA	V _F	6.0		7.0	V
Luminous intensity	I _F =150mA	I _v	2500	3000		mcd
Luminous Flux	I _F =150mA	ϕ	8	9		lm
Viewing angle at 50% I _v	I _F =150mA	2 θ 1/2		120		Deg
Reverse current	V _R =5V	I _R			10	μ A

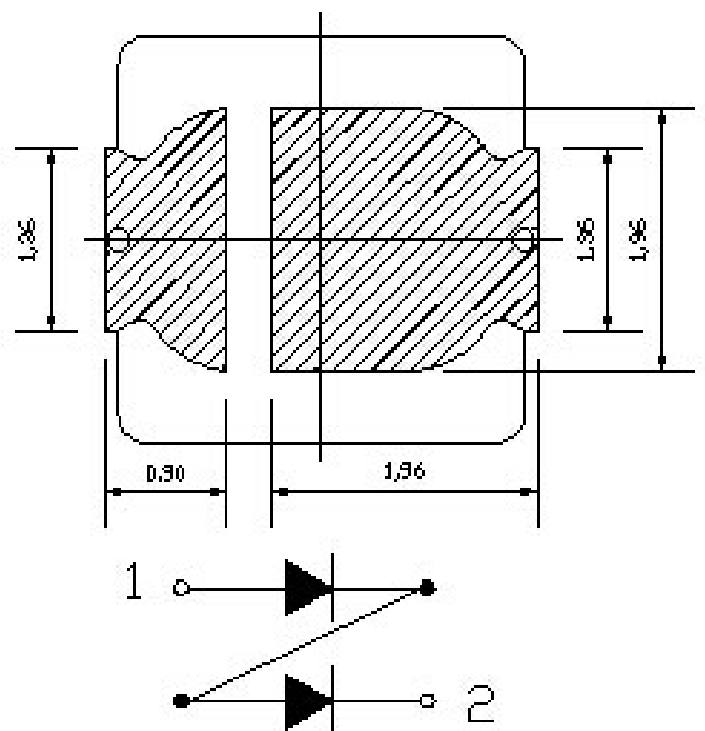
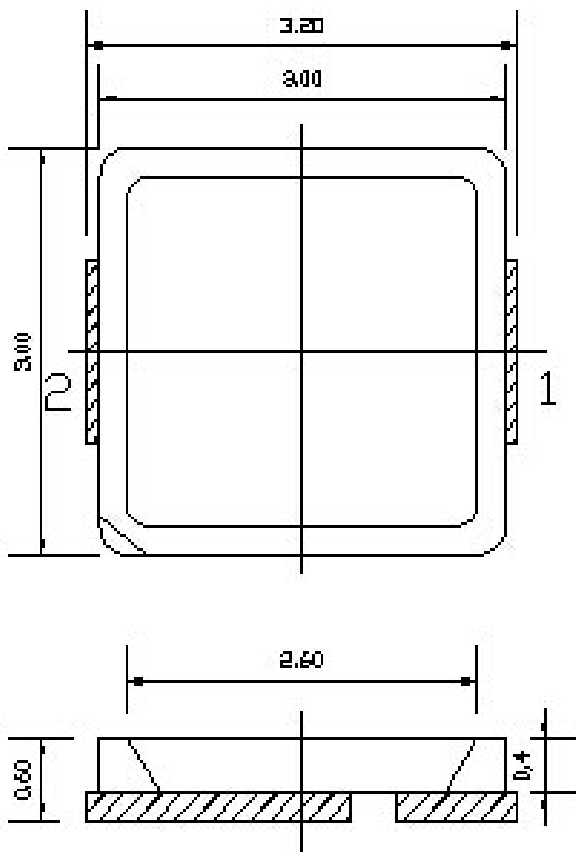
Absolute Maximum Ratings(Ta=25°C)

Parameter	Symbol	Value	Unit
Power dissipation	P _d	1000	mW
Forward current	I _F	150	mA
Reverse voltage	V _R	5	V
Operating temperature range	Top	-20 ~+80	°C
Storage temperature range	T _{stg}	-40 ~+80	°C
Peak pulsing current (1/10 duty f=1kHz)	I _{FP}	150	mA



YETDA INDUSTRY LTD.

PACKAGING DIMENSIONS (mm):



NOTES :

- 1、 All dimensions are in millimeters (inches);
- 2、 Tolerances are $\pm 0.2\text{mm}$ (0.008inch) unless otherwise noted °

2016MAY25Y



Typical Electro-Optical Characteristics Curve:

Fig 1. Forward Current vs. Forward Voltage

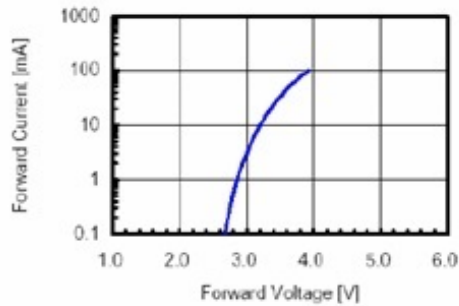


Fig 2. Relative Intensity vs. Forward Current

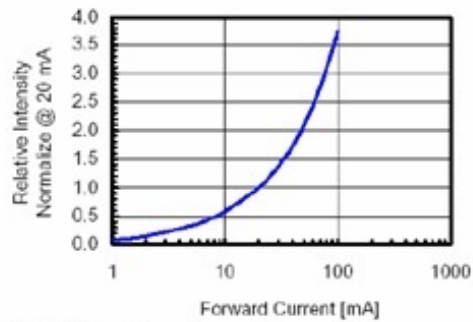


Fig 3. Forward Voltage vs. Temperature

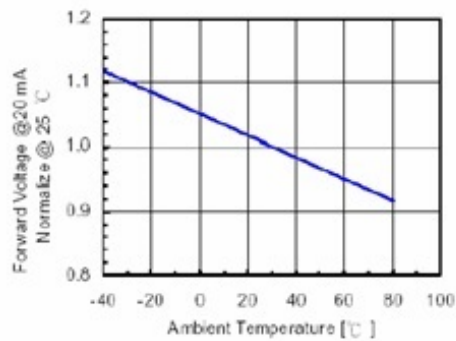


Fig 4. Relative Intensity vs. Temperature

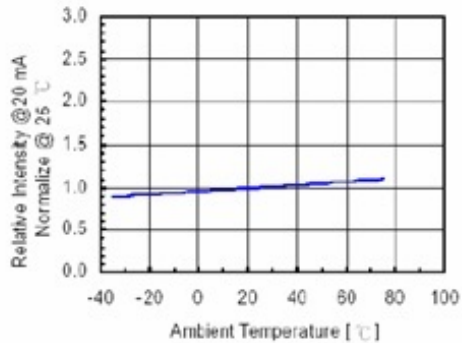
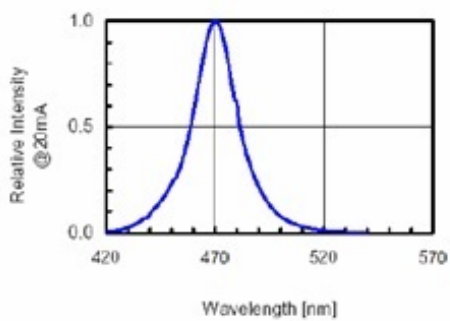


Fig 5. Relative Intensity vs. Wavelength

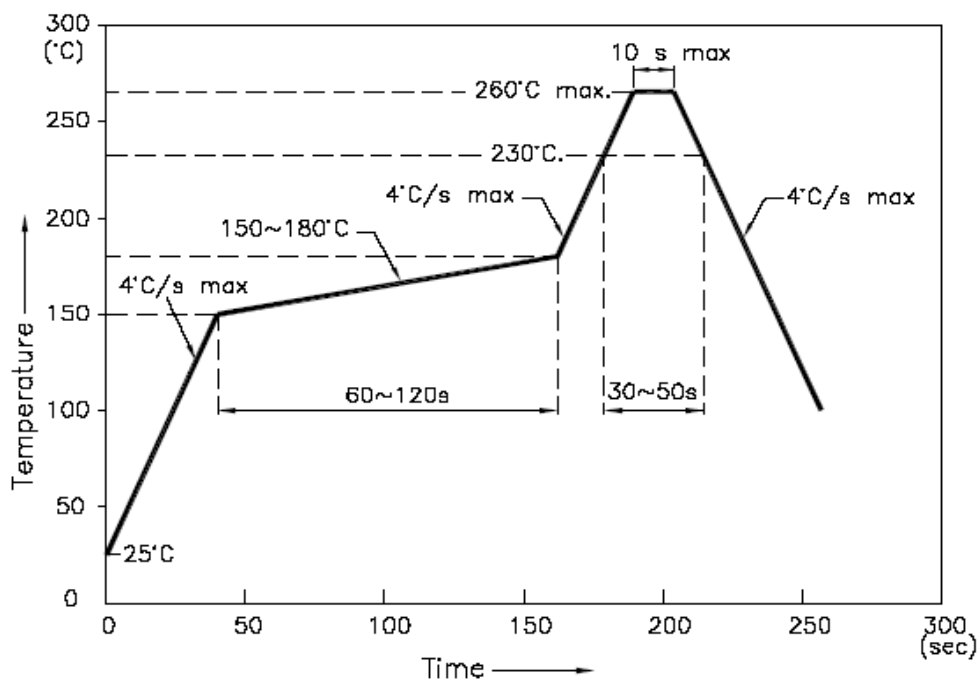




YETDA INDUSTRY LTD.

Precautions For Use :
Over - current - proof
Customer must apply resistors for protection, otherwise slight voltage shift will cause big current change (Burn out will happen)
Storage
1. The operation of temperature and R.H. are : $5^{\circ}\text{C} \sim 30^{\circ}\text{C}$, 60%R.H. Max.
2. Once the package is opened, the products should be used within a week. Otherwise, they should be kept in a dampproof box with desiccating regent. Considering the tape life, we suggest our customers to use our products within 1.5 year (from production date) .
3. It's recommended to bake before soldering when the package is unsealed after 72 hrs. The condition is : $60^{\circ}\text{C} \pm 5^{\circ}\text{C}$ for 15hrs.

■ Reflow Temp/Time



NOTES:

1. We recommend the reflow temperature $245^{\circ}\text{C} (\pm 5^{\circ}\text{C})$. the maximum soldering temperature should be limited to 260°C .
2. dont cause stress to the epoxy resin while it is exposed to high temperature.
3. Number of reflow process shall be 2 times or less.



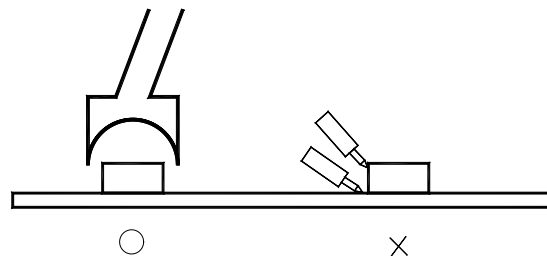
YETDA INDUSTRY LTD.

■ Soldering iron

Basic spec is $\leq 5\text{sec}$ when 260°C . If temperature is higher, time should be shorter ($+10^\circ\text{C} \rightarrow -1\text{sec}$). Power dissipation of iron should be smaller than 20W, and temperatures should be controllable. Surface temperature of the device should be under 230°C .

■ Rework

1. Customer must finish rework within 5 sec under 260°C .
2. The head of iron can not touch copper foil
3. Twin-head type is preferred.



■ Avoid rubbing or scraping the resin by any object, during high temperature, for example reflow 、 solder etc.

■ Packaging specifications

