



YETDA INDUSTRY LTD.

0.30" TRIPLE RED DIGIT SMD LED DISPLAY

T-3031AUF21-SMD

DESCRIPTION

- * 0.30" (7.62mm) Inch Digit Height.
- * Super Bright Red SMD Display.
- * Gray Face and White Segment Color.
- * Common Cathode.

ABSOLUT MAXIMUM RATINGS AT Ta=25°C

Parameter		UNIT
Power Dissipation Per Seg. & Dot	70	mW
Peak Forward Current Per Seg. & Dot	90	mA
Forward current Per Seg. & Dot (Static)	25	mA
Reverse Voltage Per Seg. & Dot	5	V
Operation Temperature Range	-25°C TO +80°C	°C
Storage Temperature Range	-25°C TO +100°C	°C
Lead Soldering Temperature	260°C for 3 seconds 1.6mm(1/16 inch) from body	

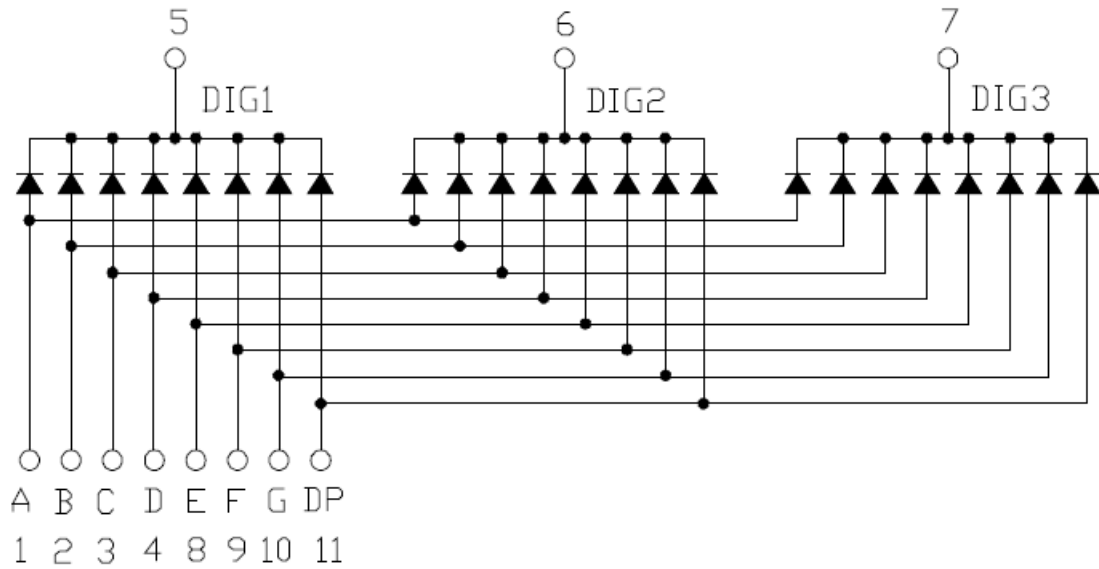
ELECTRICAL/OPTICAL CHARACTERISTIC AT Ta=25°C

PARAMETER	SYMBOL	MIN.	TYP.	MAX.	UNIT	CONDITION
Average Luminous Intensity	Iv		4		mcd	If=10mA
Emission Wavelength	λd		630		nm	If=10mA
Forward Voltage Per Seg. & Dot	Vf		2.0	2.8	V	If=10mA
Reverse Current Per Seg.	Ir			10	uA	Vr=5V
Luminous Intensity Matching Ratio	Iv-m		2 : 1			If=10mA

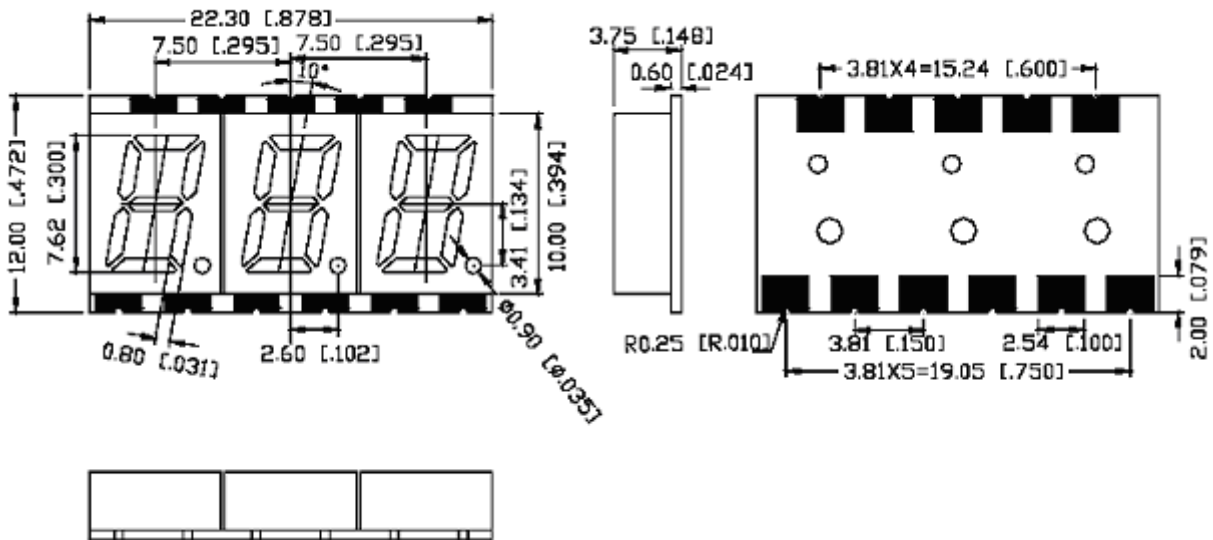


YETDA INDUSTRY LTD.

P.C.B. Pin Connection



Reflector Dimensions



Unit:mm