



YETDA INDUSTRY LTD.

## 0.56" TRIPLE DIGIT WHITE LED DISPLAY

### T-5631AW11

#### DESCRIPTION

- \* 0.56" (14.20mm) Inch Digit Height.
- \* High Bright White Display.
- \* Black Face and Yellow diffused Segment Color.
- \* Common Cathode.

#### ABSOLUT MAXIMUM RATINGS AT Ta=25°C

| Parameter                           |   | UNIT |
|-------------------------------------|---|------|
| Power Dissipation Per Seg. & Dot    | 40  | mW   |
| Peak Forward Current Per Seg. & Dot | 120   | mA   |
| Forward current Per Seg. & Dot      | 30  | mA   |
| Reverse Voltage Per Seg. & Dot      | 5   | V    |
| Operation Temperature Range         | -25°C TO +80°C                                    | °C   |
| Storage Temperature Range           | -25°C TO +100°C                                   | °C   |
| Lead Soldering Temperature          | 260°C for 3 seconds<br>1.6mm(1/16 inch) from body |      |

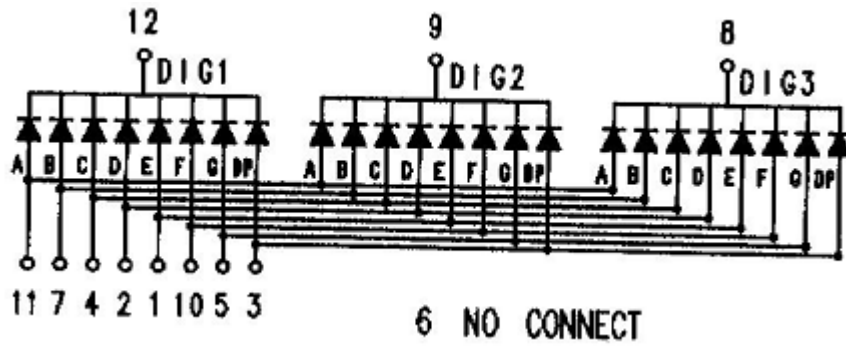
#### ELECTRICAL/OPTICAL CHARACTERISTIC AT Ta=25°C

| PARAMETER                         | SYMBOL            | MIN. | TYP.  | MAX. | UNIT | CONDITION            |
|-----------------------------------|-------------------|------|-------|------|------|----------------------|
| Average Luminous Intensity        | I <sub>v</sub>    | 60   | 75    |      | mcd  | I <sub>F</sub> =20mA |
| Chromaticity Coordinate           | x                 |      | 0.29  |      |      | I <sub>F</sub> =20mA |
| Chromaticity Coordinate           | y                 |      | 0.30  |      |      | I <sub>F</sub> =20mA |
| Forward Voltage Per Seg. & Dot    | V <sub>F</sub>    |      | 3.2   | 3.8  | V    | I <sub>F</sub> =20mA |
| Reverse Current Per Seg. & Dot    | I <sub>R</sub>    |      |       | 10   | uA   | V <sub>R</sub> =5V   |
| Luminous Intensity Matching Ratio | I <sub>v</sub> -m |      | 2 : 1 |      |      | I <sub>F</sub> =20mA |

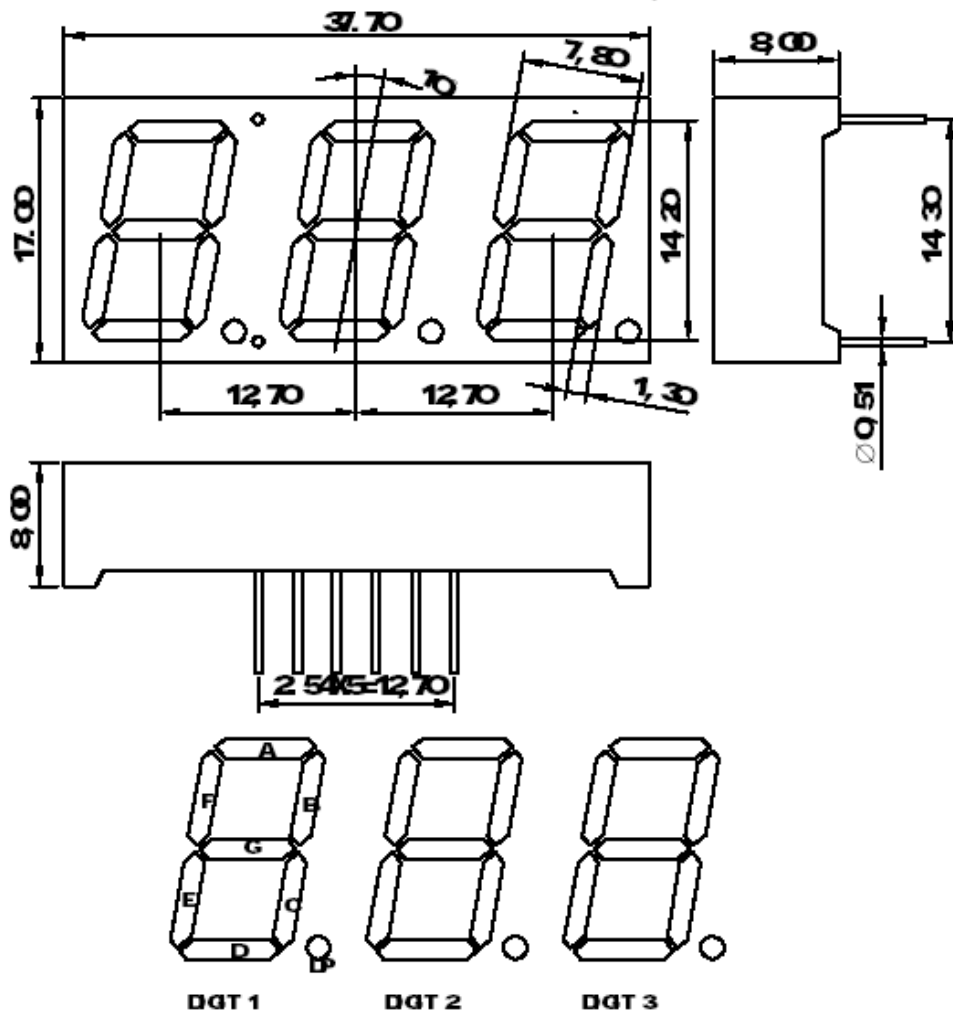


YETDA INDUSTRY LTD.

### P.C.B. Pin Connection



### Reflector Dimensions



Unit:mm