



YETDA INDUSTRY LTD.

YT-1833-T2D2H211L

Features:

- Within the Shielding, High protection ability against
- Wide voltage operating: 2.7V~6.0V
- Wide half angle & long reception distance
- Automatic supply voltage adaptation
- Enhanced immunity against all kind of disturbance

Applications

- AV equipment (TV, DVD Player, VCR, Audio, CD)
- Home appliances (Camera, Computer Air)
- Infrared remote control Toys.

Centre Frequency

- 32.7KHz

Absolute Maximum Ratings (T_A=25°C):

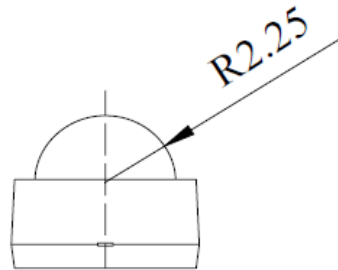
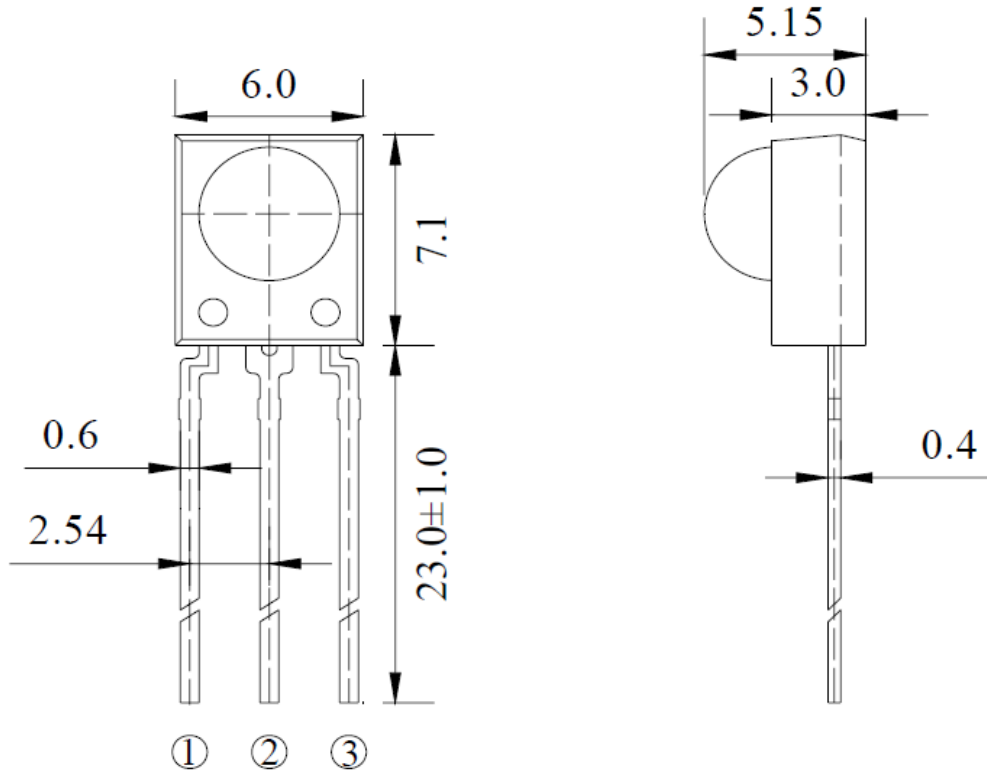
Parameter	Symbol	Ratings	Unit
Supply Voltage	V _{cc}	6.5	V
Operating Temperature	T _{opr}	-25~ +80	°C
Storage Temperature	T _{stg}	-40 ~ +85	°C
Soldering Temperature *1	T _{sol}	260	°C

*1 At the position of 2mm from the bottom of the package within 5 seconds..

Electro-Optical Characteristics (T_A = 25°C)

Parameter	Symbol	Conditions	Min.	Typ.	Max.	Unit
Supply Voltage	V _{cc}		2.7		6.0	V
Supply Current	I _{cc}	No Input Signal	0.5	1.0	1.5	mA
Reception Distance	d	200±50Lux V _{cc} =3.0V	10	22		m
Half Angle (Horizontal)	Δθ _h			±45		deg
Half Angle (Vertical)	Δθ _v			±45		deg
B.P.F. Center Frequency	F _o			32.7		KHz
Peak Wavelength	λ _p			940		nm
Signal Output	S _o		--- Active Low ---			
High Level Output Voltage	V _{oh}		VDD-0.3		VDD	V
Low Level Output Voltage	V _{ol}				0.4	V
High Level Pulse Width	T _{wh}	Burst Wave = 600μs	500	--	800	μs
Low Level Pulse Width	T _{wl}	Burst Wave = 600μs	500	--	800	μs

Package



NOTE

1. PIN CONFIG

① Vout

② GND

③ VCC

2. G.T: ±0.3

3. UNIT:mm