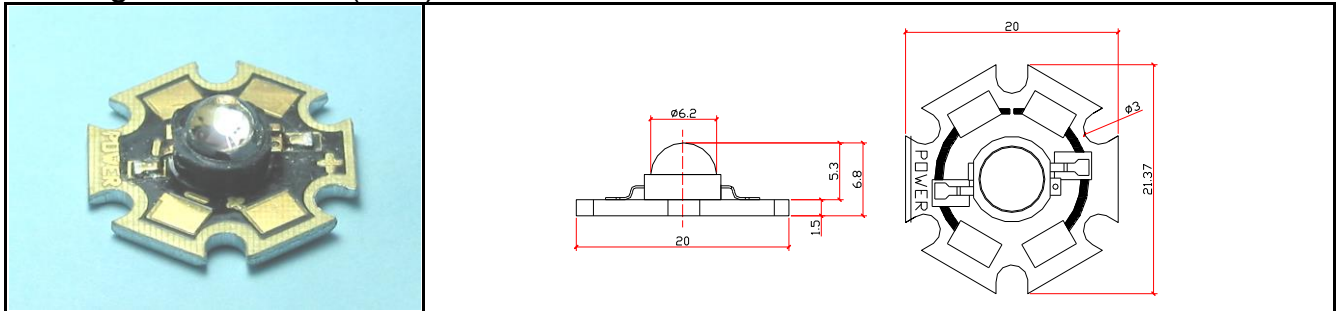


# YETDA STAR TYPE POWER LED

Part No.	Color	T <sub>c</sub> (°K) or Wavelength	Luminous Flux	Forward Current	Forward Voltage	Operating Temperature Range	Viewing Angle
		λ D	lm	mA			2θ1/2

## 1W High Power LED (Star) Lambertian

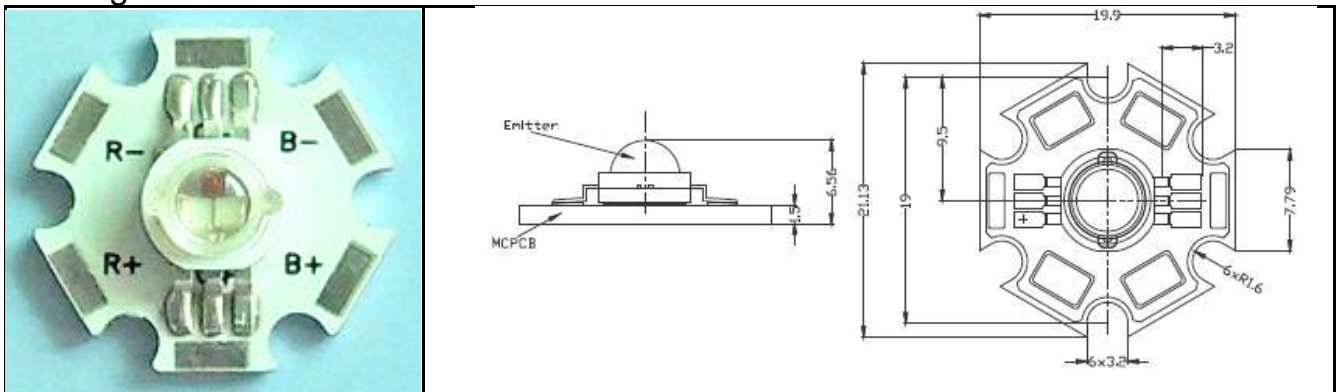
UNIT:mm



D031F	Red	660nm(λp)	15	350mA	2.1-2.3V	-20°C to +80°C	140 deg
Y031F	Yellow	590nm	35				
W031F	White	6000K-7000K	95				
WW031F	Warm White	2700K-3500K	90				
I031F	Infrared	850nm	30(mW)		1.4-1.7V		

## 1W High Power RGB LED

UNIT:mm



RGB031F	Red	625nm	15	350mA	2.0-2.4V	-20°C to +80°C	140 deg
	Blue	470nm	35		3.1-3.4V		
	Pure Green	525nm	76				