
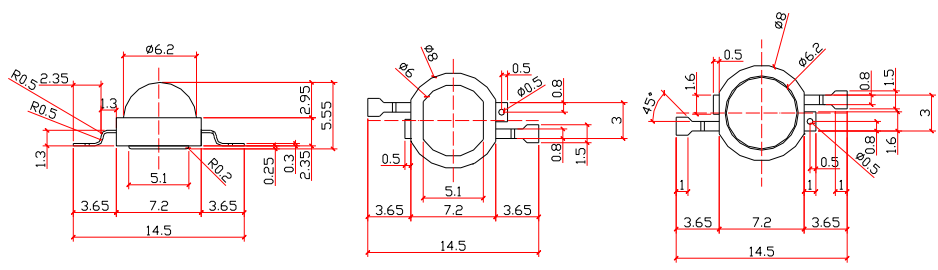


YETDA EMITTER TYPE POWER LED

Part No.	Color	T _c (°K) or Wavelength	Luminous Flux	Forward Current	Forward Voltage	Operating Temperature Range	Viewing Angle
		λ D	lm	mA			2Θ1/2


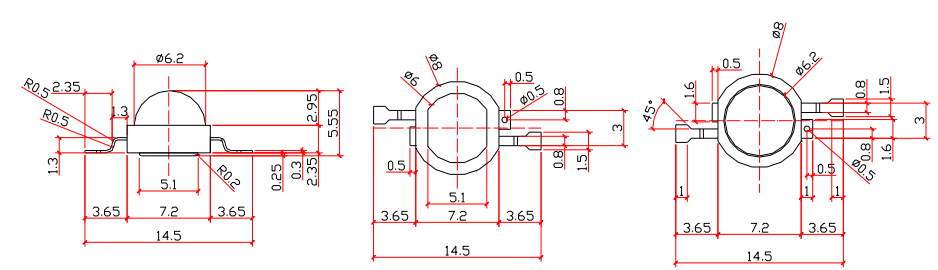
0.5 W High Power LED (Emitter) Lambertian

UNIT:mm

							
W015E	White	6000K-7000K	50	150mA	2.8-3.8V	-20°C to +80°C	140 deg
WW015E	Warm White	2700K-3500K	45				

1W High Power LED (Emitter) Lambertian

UNIT:mm

							
D031E	Red	660nm(λ _p)	15	350mA	2.1-2.3V	-20°C to +80°C	140 deg
Y031E	Yellow	590nm	35		2.8-4.0V		
W031E	White	6000K-7000K	95		1.4-1.7V		
WW031E	Warm White	2700K-3500K	90				
I031E	Infrared	850nm	30(mW)				