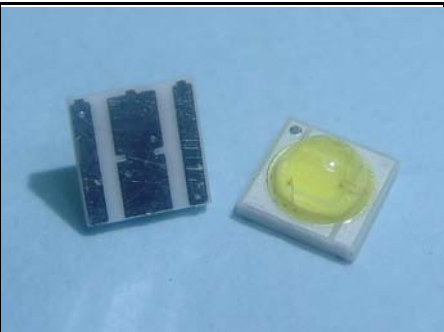
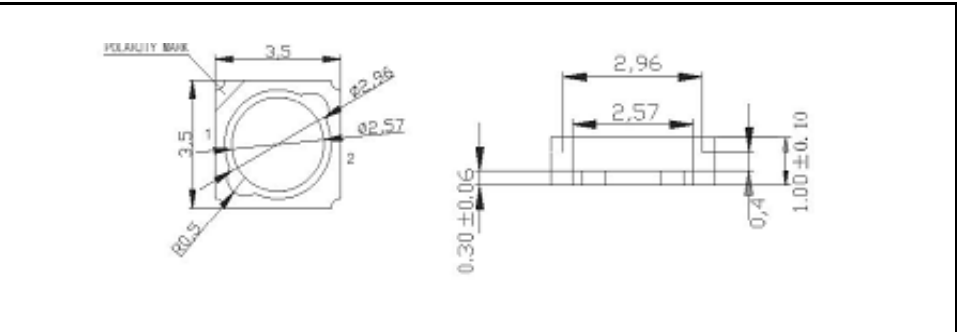


# YETDA SMD TYPE POWER LED

Part No.	Color	T <sub>c</sub> (°K)	Luminous Flux	Forward Current	Forward Voltage	Operating Temperature Range	Viewing Angle
			lm	mA			2θ1/2


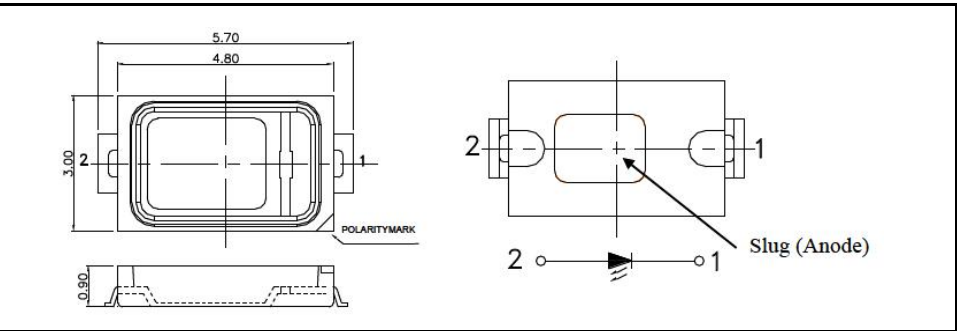
## 1W 3535 High Power LED

UNIT:mm

							
S3535ANW4P	White	6000K-7000K	90	350mA	2.8-4.0V	-20°C to +80°C	120 deg
S3535ANWW4P	Warm White	2700K-3500K	80	350mA			

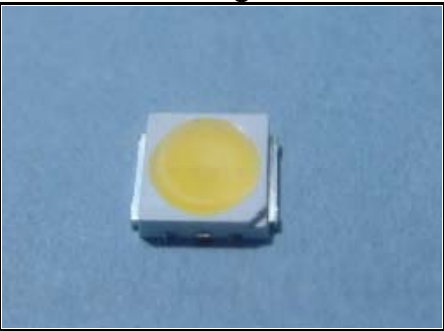
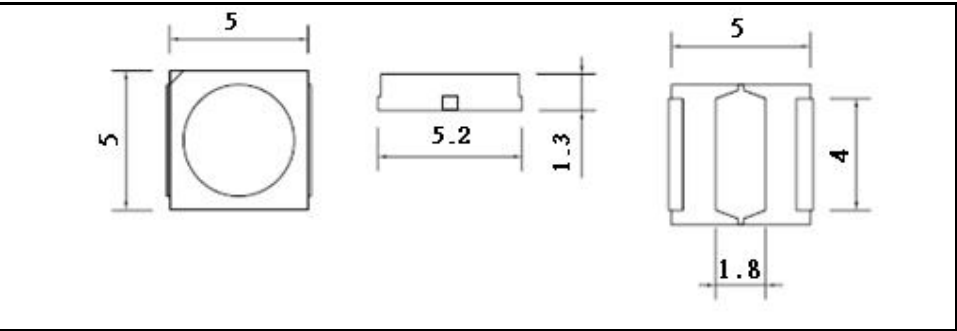
## 0.5W 5730 High Power LED

UNIT:mm

							
S5730QLW4P	White	6000K-7000K	35	150mA	3.0-3.8V	-20°C to +80°C	120 deg

## 0.5W 5050 High Power LED

UNIT:mm

							
S5050XNW4P	White	6000K-7000K	50	150mA	3.0-3.8V	-20°C to +80°C	120 deg
S5050XNWW4P	Warm White	2700K-3500K	48	150mA	3.0-3.8V	-20°C to +80°C	120 deg