
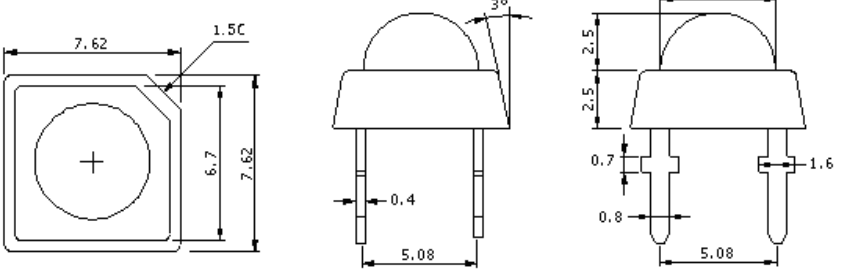


YETDA 4 PINS (SUPER FLUX) LED LAMP

Part Number	Chip			Lens Color	V _F (V) at I _F =20mA		I _v (mcd)			Viewing Angle 2θ 1/2 (deg.)
	Material	Emitter Color	λ D(nm)		Typ.	Max.	at I _F =mA	Min.	Typ.	


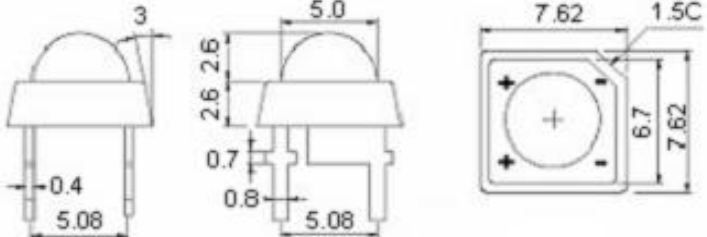
113 Package 4 Pins LED LAMP

UNIT:mm

											
	Q113LTH4U	AlGaInP	Red	625	Water Clear	2.0	2.4	20	850	1100	50
	Q113LTY4U	AlGaInP	Yellow	590		2.0	2.4		700	1000	
	S113TG4U-H	InGaN	Pure Green	525		3.2	3.8		3500	5000	
	S113TB4U-H	InGaN	Blue	470		3.2	3.8		1000	1300	
	S113TW4U-S	InGaN	White	X:0.29 Y:0.30		3.2	3.8		1500	2000	
	S113TW4U-T	InGaN	White	X:0.29 Y:0.30		3.2	3.8		2500	3500	


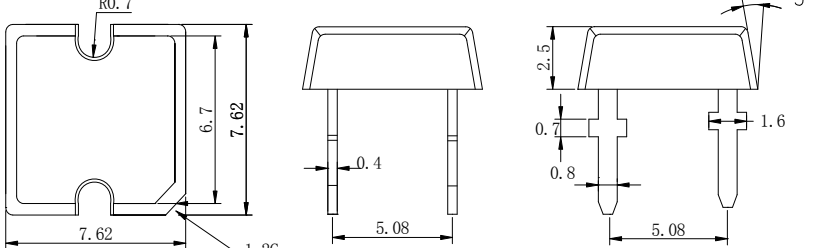
High Power 113 Package 4 Pins LED LAMP

UNIT:mm

											
	Q113YNH4U-P	AlGaInP	Red	625	Water Clear	2.0	2.4	150	12lm	15lm	50
	Q113YNY4U-P	AlGaInP	Yellow	590		2.0	2.4		12lm	15lm	
	S113YNB4U-P	InGaN	Blue	470		3.2	3.8		4.7lm	5lm	
	S113YNG4U-P	InGaN	Pure Green	525		3.2	3.8		15lm	18lm	
	S113YNW4U-P	InGaN	White	X:0.29 Y:0.30		3.2	3.8		18lm	20lm	

114 Package 4 Pins LED LAMP

UNIT:mm

											
	Q114ITH4U	AlGaInP	Red	625	Water Clear	2.0	2.4	20	200	300	120
	Q114LTH4U	AlGaInP	Red	625		2.0	2.4		400	600	
	Q114LTY4U	AlGaInP	Yellow	590		2.0	2.4		400	600	
	S114TG4U-H	InGaN	Pure Green	525		3.2	3.8		700	1000	
	S114TB4U-H	InGaN	Blue	470		3.2	3.8		600	800	
	S114TW4U-S	InGaN	White	X:0.29 Y:0.30		3.2	3.8		400	600	
S114TW4U-T	InGaN	White	X:0.29 Y:0.30	3.2		3.8	700		1000		