
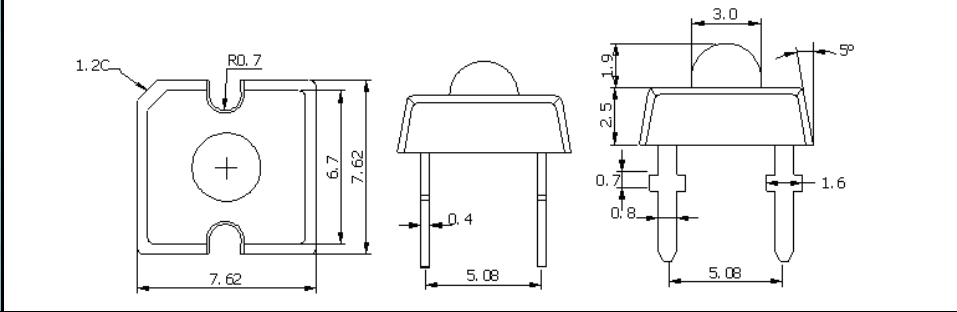


YETDA 4 PINS (SUPER FLUX) LED LAMP

Part Number	Chip			Lens Color	V _F (V) at I _F =20mA		I _v (mcd)			Viewing Angle 2θ 1/2 (deg.)
	Material	Emitter Color	λ D(nm)		Typ.	Max.	at I _F =mA	Min.	Typ.	


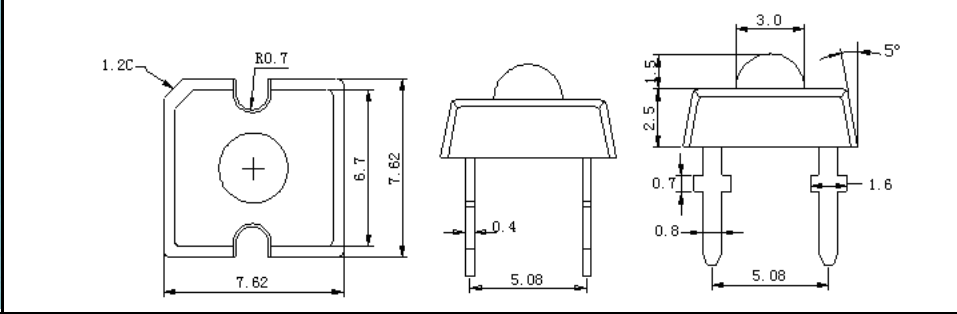
106 Package 4 Pins LED LAMP

UNIT:mm

											
	Q106LOA4U	AlGaInP	Amber	606	Water Clear	2.0	2.4	20	900	1200	40
	Q106LTY4U	AlGaInP	Yellow	590		2.0	2.4		900	1200	
	S106TG4U-H	InGaN	Pure Green	525		3.2	3.8		3000	4500	
	S106TW4U-S	InGaN	White	X:0.29 Y:0.30		3.2	3.8		1500	2500	


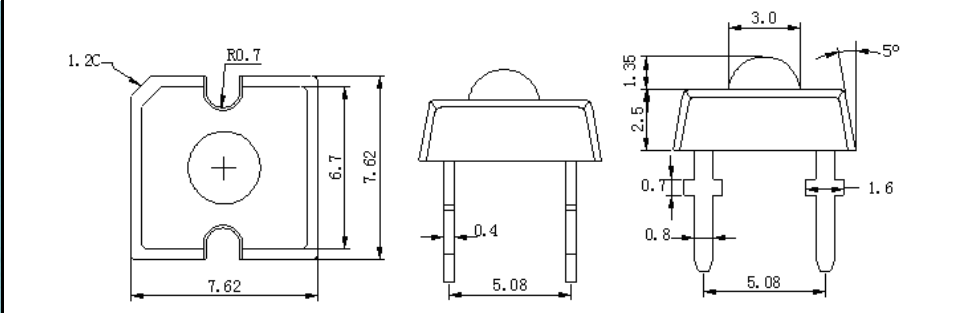
105 Package 4 Pins LED LAMP

UNIT:mm

											
	Q105LTH4U	AlGaInP	Red	625	Water Clear	2.0	2.4	20	1000	1500	65
	Q105LTY4U	AlGaInP	Yellow	590		2.0	2.4		800	1000	
	S105TG4U-H	InGaN	Pure Green	525		3.2	3.8		2800	4000	
	S105TB4U-H	InGaN	Blue	470		3.2	3.8		8000	1000	
	S105TW4U-S	InGaN	White	X:0.29 Y:0.30		3.2	3.8		1200	2200	
S105TW4U-T	InGaN	White	X:0.29 Y:0.30	3.2		3.8	2200		3500		

115 Package 4 Pins LED LAMP

UNIT:mm

											
	Q115LTH4U	AlGaInP	Red	625	Water Clear	2.0	2.4	20	800	1000	90
	S115TB4U-H	InGaN	Blue	470		3.2	3.8		1000	1200	
	S115TW4U-T	InGaN	White	X:0.29 Y:0.30		3.2	3.8		2000	3000	
	115RGB4U (Full Color)	AlGaInP	Red	625		2.0	2.4		300	500	
		InGaN	Pure Green	525		3.2	3.8		700	900	
		InGaN	Blue	470		3.2	3.8		500	750	