
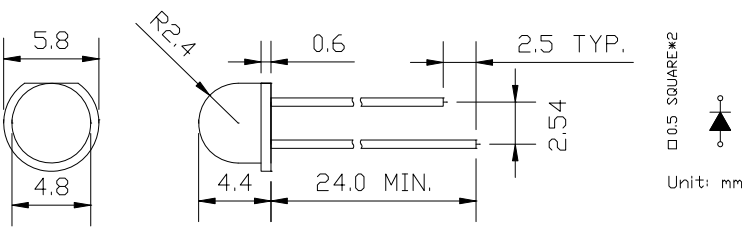


YETDA WHITE LED LAMP

Part Number	Chip		Lens Color	V _F (V) at I _F =20mA		I _v (mcd)			Viewing Angle 2θ 1/2 (deg.)
	Material	Emitter Color		Typ.	Max.	at I _F =mA	Min.	Typ.	


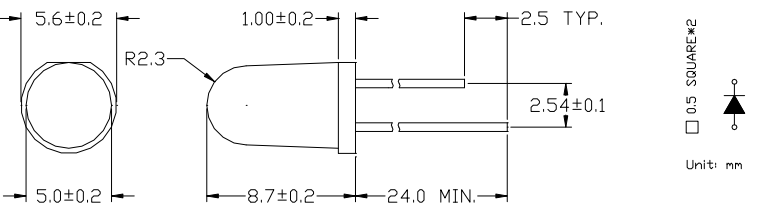
4.8mm White LED LAMP

UNIT:mm

										
S518TWW4G-S	InGaN	Warm White	X:0.40 Y:0.40	Water Clear	3.2	3.8	20	600	800	80
S518TWW4G-T	InGaN	Warm White	X:0.40 Y:0.40		3.2	3.8		800	1000	
S518TW4G-C	InGaN	White	X:0.29 Y:0.30		3.2	3.8		600	1000	
S518TW4G-S	InGaN	White	X:0.29 Y:0.30		3.2	3.8		800	1200	
S518TW4G-T	InGaN	White	X:0.29 Y:0.30		3.2	3.8		1200	1500	
S518TW4G-U	InGaN	White	X:0.29 Y:0.30		3.2	3.8		1500	2000	


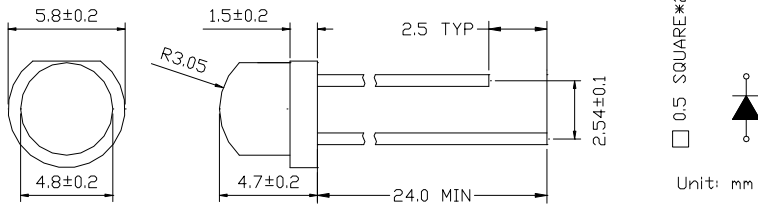
5mm Bullet Shape White LED LAMP

UNIT:mm

										
S502TWW4G-S	InGaN	Warm White	X:0.40 Y:0.40	Water Clear	3.2	3.8	20	6500	8500	20
S502TWW4G-T	InGaN	Warm White	X:0.40 Y:0.40		3.2	3.8		9500	10500	
S502TW4G-S	InGaN	White	X:0.29 Y:0.30		3.2	3.8		9500	11000	
S502TW4G-T	InGaN	White	X:0.29 Y:0.30		3.2	3.8		12500	16000	
S502TW4G-U	InGaN	White	X:0.29 Y:0.30		3.2	3.8		18000	22000	

5mm Hat Shape White LED LAMP

UNIT:mm

										
S534TWW4G-S	InGaN	Warm White	X:0.40 Y:0.40	Water Clear	3.2	3.8	20	600	800	80
S534TWW4G-T	InGaN	Warm White	X:0.40 Y:0.40		3.2	3.8		800	1000	
S534TW4G-S	InGaN	White	X:0.29 Y:0.30		3.2	3.8		800	1200	
S534TW4G-T	InGaN	White	X:0.29 Y:0.30		3.2	3.8		1200	1500	
S534TW4G-U	InGaN	White	X:0.29 Y:0.30		3.2	3.8		1500	2000	