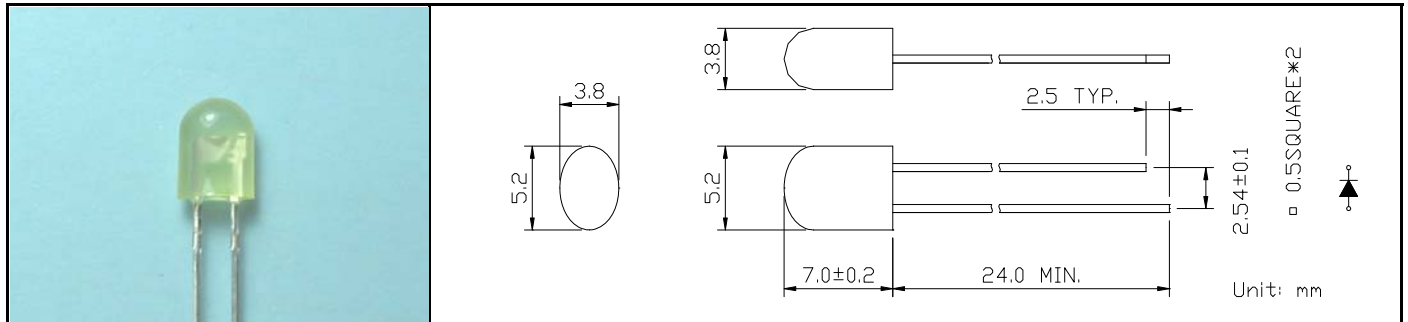


YETDA OVAL LED LAMP

Part Number	Chip			Lens Color	V _F (V) at I _F =20mA		I _v (mcd)			Viewing Angle 2θ 1/2 (deg.)
	Material	Emitter Color	λD(nm)		Typ.	Max.	at I _F =mA	Min.	Typ.	

3.8×5.2mm Oval LED LAMP

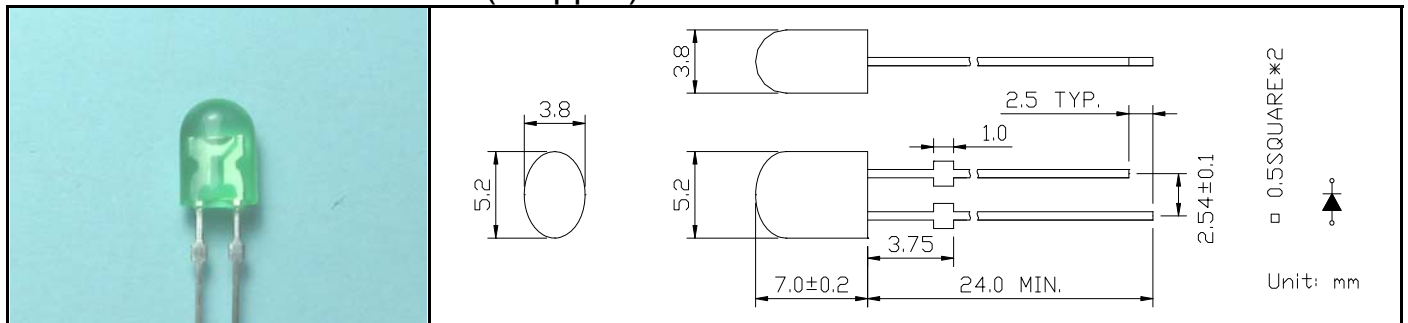
UNIT:mm



Part Number	Material	Emitter Color	λD(nm)	Color Diffused	2.0	2.4	20	300	400	110/40
Q546HCH1D	AlGaInP	Red	625		2.0	2.4		400	500	
Q546ICH1D	AlGaInP	Red	625		2.0	2.4		200	300	
Q546HCG1D	AlGaInP	Yellow Green	573		2.0	2.4		400	500	
Q546HCY1D	AlGaInP	Yellow	590		2.0	2.4		600	700	
Q546LCY1D	AlGaInP	Yellow	590		2.0	2.4		500	600	
Q546GOA1D	AlGaInP	Amber	606		2.0	2.4		600	700	
Q546IOA1D	AlGaInP	Amber	606		2.0	2.4				

3.8×5.2mm Oval LED LAMP(Stopper)

UNIT:mm



Part Number	Material	Emitter Color	X:Y	Milky	3.2	3.8	20	2000	2500	110/40
S546TWW2G+-S	InGaN	Warm White	X:0.39 Y:0.36		3.2	3.8		2500	3500	
S546TWW2G+-T	InGaN	Warm White	X:0.39 Y:0.36		3.2	3.8		3500	4000	
S546TW2G+-S	InGaN	White	X:0.29 Y:0.30		3.2	3.8		4000	5000	
S546TW2G+-T	InGaN	White	X:0.29 Y:0.30		3.2	3.8		5000	5500	
S546TW2G+-U	InGaN	White	X:0.29 Y:0.30		3.2	3.8		700	800	
S546TB1D+-C	InGaN	Blue	470		3.2	3.8		1000	1500	
S546TB1D+	InGaN	Blue	470		3.2	3.8		2000	2500	
S546TB1D+-H	InGaN	Blue	470		3.2	3.8		1000	1500	
S546TG1D+-C	InGaN	Pure Green	525		3.2	3.8		2200	2700	
S546TG1D+	InGaN	Pure Green	525	3.2	3.8	3200	4000			
S546TG1D+-H	InGaN	Pure Green	525	3.2	3.8					