
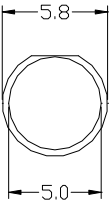
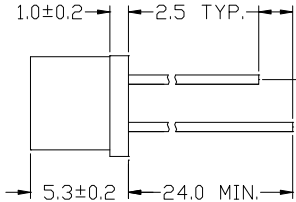
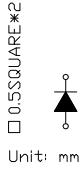


YETDA SPECIAL SIZE LED LAMP

Part Number	Chip			Lens Color	V _F (V) at I _F =20mA		I _v (mcd)			Viewing Angle 2θ 1/2 (deg.)
	Material	Emitter Color	λD(nm)		Typ.	Max.	at I _F =mA	Min.	Typ.	


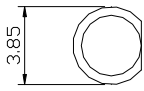
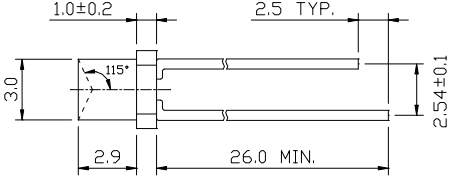
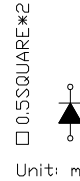
5mm Flat-Top LED LAMP

UNIT:mm

										
707SK4D	AlGaAs/GaAs	Red	660	Water Clear	1.8	2.0	20	80	100	90
Q707HCG4D	AlGaInP	Yellow Green	573		2.0	2.4		100	150	
Q707LCY4D	AlGaInP	Yellow	590		2.0	2.4		300	350	
Q707GOA4D	AlGaInP	Amber	606		2.0	2.4		150	200	
S707TW4G-S	InGaN	White	X:0.29 Y:0.30		3.2	3.8		1200	1500	
S707TB4D	InGaN	Blue	470		3.2	3.8		500	700	
S707TG4D-C	InGaN	Pure Green	525		3.2	3.8		500	700	


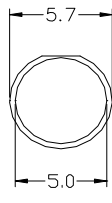
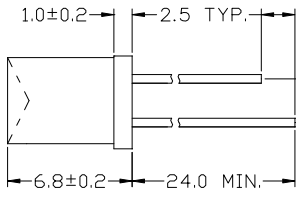
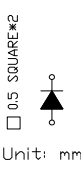
3mm Concave LED LAMP

UNIT:mm

										
Q702HCH4G	AlGaInP	Red	625	Water Clear	2.0	2.4	20	100	150	120
Q702LCH4G	AlGaInP	Red	625		2.0	2.4		200	350	
Q702HCG4G	AlGaInP	Yellow Green	573		2.0	2.4		80	120	
Q702HCY4G	AlGaInP	Yellow	590		2.0	2.4		100	150	
Q702IOA4G	AlGaInP	Amber	606		2.0	2.4		200	250	
S702TB4G	InGaN	Blue	470		3.2	3.8		300	500	
S702TG4G	InGaN	Pure Green	525		3.2	3.8		700	1000	
S702TW4G-T	InGaN	White	X:0.29 Y:0.30		3.2	3.8		1000	1200	

5mm Concave LED LAMP

UNIT:mm

										
Q703LCH4D	AlGaInP	Red	625	Water Clear	2.0	2.4	20	250	300	120
Q703HCG4D	AlGaInP	Yellow Green	573		2.0	2.4		100	150	
Q703LCY4D	AlGaInP	Yellow	590		2.0	2.4		250	300	
Q703GOA4D	AlGaInP	Amber	606		2.0	2.4		120	150	
S703TG4D	InGaN	Pure Green	525		3.2	3.8		500	600	
S703TB4D-C	InGaN	Blue	470		3.2	3.8		200	300	
S703TW4G-S	InGaN	White	X:0.29 Y:0.30		3.2	3.8		1000	1200	
S703TW4G-T	InGaN	White	X:0.29 Y:0.30		3.2	3.8		1200	1500	