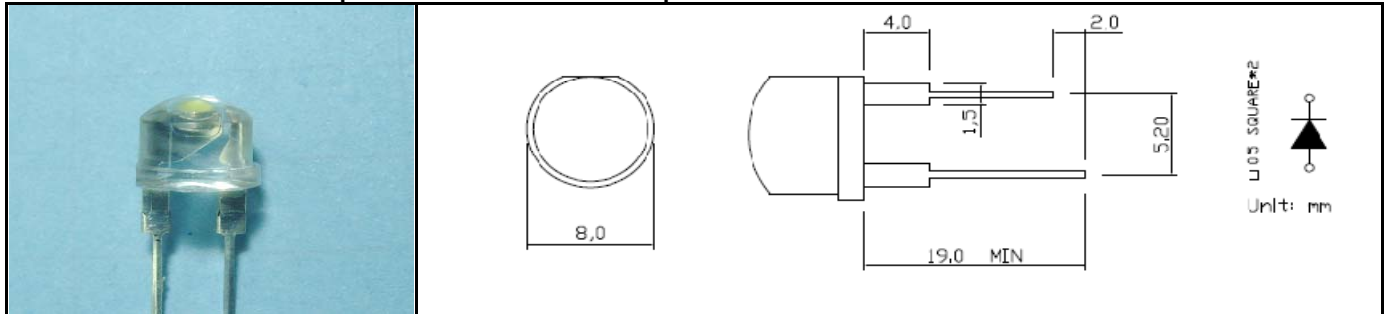


YETDA SPECIAL SIZE LED LAMP

Part Number	Chip			Lens Color	V _F (V) at I _F =20mA		I _v (mcd)			Viewing Angle 2θ 1/2 (deg.)
	Material	Emitter Color	λ _D (nm)		Typ.	Max.	at I _F =mA	Min.	Typ.	

0.5W 8mm Hat Shape Power LED Lamp

UNIT:mm



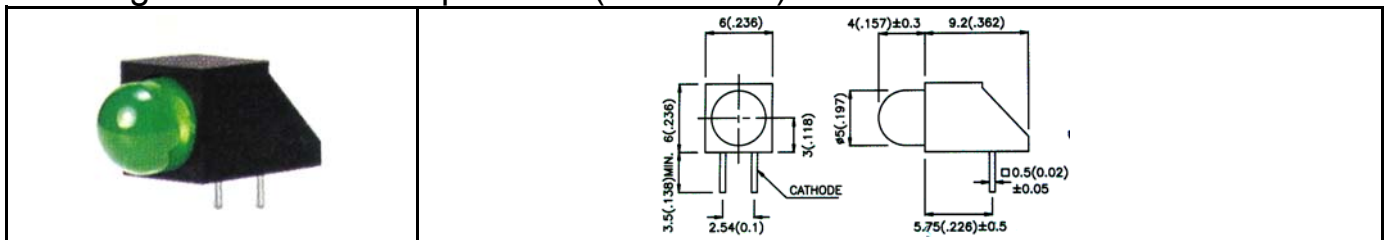
Q834PNH4P	AlGaInP	Red	625	Water Clear	2.2	2.6	150	5lm	15lm	120
Q834PNY4P	AlGaInP	Yellow	590		2.2	2.6		5lm	15lm	
S834QNB4P	InGaN	Blue	625		3.0	3.6		5lm	8lm	
S834QNG4P	InGaN	Pure Green	525		2.2	4.0		15lm	30lm	
S834XWW4P	InGaN	Warm White	2700K-3500K		3.0	4.0		15lm	25lm	
S834XNW4P	InGaN	White	6000K-7000K		3.0	4.0		18lm	40lm	

YETDA HOUSING LED LAMP (ARRAYS LED)

Part Number	Chip			Lens Color	V _F (V) at I _F =20mA		I _v (mcd)			Viewing Angle 2θ 1/2 (deg.)
	Material	Emitter Color	λ _D (nm)		Typ.	Max.	at I _F =mA	Min.	Typ.	

Housing LED LAMP for 1 pcs LED (502 TYPE)

UNIT:mm



H502H1	Gap	Red	695	Color Diff	2.2	2.6	20	2	10	80
H502SK1	AlGaAs/GaAs	Red	660		1.8	2.2		20	40	
H502HCH1	AlGaInP	Red	625		2.0	2.4		150	200	
H502GN1	Gap	Yellow Green	573		2.2	2.6		30	40	
H502HCY1	AlGaInP	Yellow	590		2.0	2.4		150	200	
H502EH1	GaAsp/Gap	Orange	620		2.1	2.6		13	20	