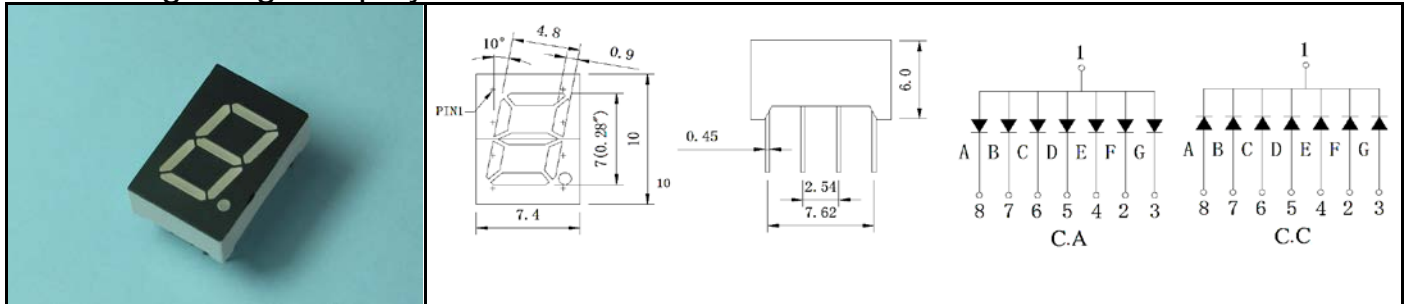


YETDA SINGLE DIGIT DISPLAY

Part Number	Chip			Face Color	Segment Color	VF (V)		Iv (mcd)		C.C. Or C.A.
	Material	Emitter Color	λ_D (nm)			at IF=20mA		at IF=20mA		
						Typ.	Max.	Min.	Typ.	

0.28" Single Digit Display

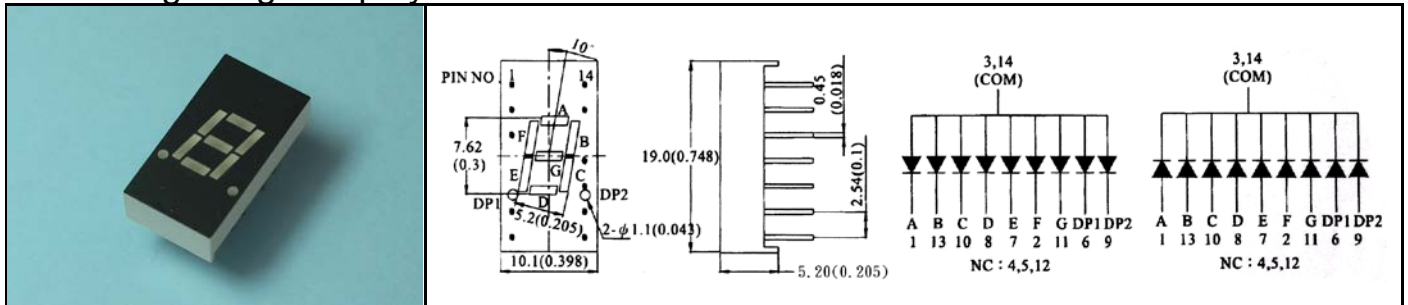
UNIT:mm/inch



S-2811ASK11	AlGaAs/GaAs	Red	660	Black	White	1.8	2.2	4	12	CC
S-2811AE11	GaAsP/GaP	Orange	620			2.1	2.6	6	10	
S-2811AGU11	GaP	Yellow Green	573			2.2	2.6	6	9	
S-2812AY21	GaAsP/GaP	Yellow	590	Grey	White	2.1	2.6	6	12	CA
S-2812AB21	InGaN	Blue	470			3.2	3.8	35	45	
S-2812APG21	InGaN	Pure Green	525			3.2	3.8	150	180	
S-2812AW21	InGaN	White	X:0.29 Y:0.30			3.2	3.8	60	75	

0.30" Single Digit Display

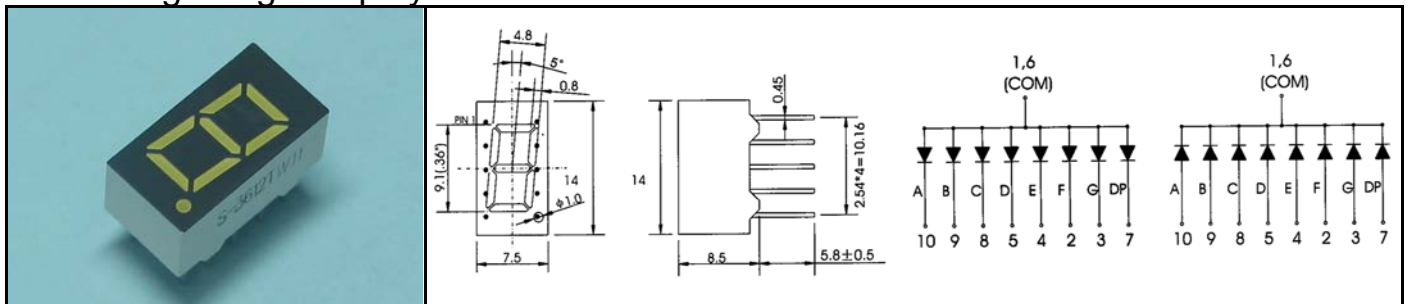
UNIT:mm/inch



S-3011CSK11	AlGaAs/GaAs	Red	660	Black	White	1.8	2.2	4	12	CC
S-3011CE11	GaAsP/GaP	Orange	620			2.1	2.6	6	10	
S-3011CGU11	GaP	Yellow Green	573			2.2	2.6	6	9	
S-3012CY21	GaAsP/GaP	Yellow	590	Grey	White	2.1	2.6	6	12	CA
S-3012CB21	InGaN	Blue	470			3.2	3.8	35	45	
S-3012CPG21	InGaN	Pure Green	525			3.2	3.8	150	180	
S-3012CW21	InGaN	White	X:0.29 Y:0.30			3.2	3.8	60	75	

0.36" Single Digit Display

UNIT:mm/inch



S-3611ASK11	AlGaAs/GaAs	Red	660	Black	White	1.8	2.2	4	12	CC
S-3611AE11	GaAsP/GaP	Orange	620			2.1	2.6	6	10	
S-3611AGU11	GaP	Yellow Green	573			2.2	2.6	6	9	
S-3612AY10	GaAsP/GaP	Yellow	590	Black	Clear	2.1	2.6	6	12	CA
S-3612AB10	InGaN	Blue	470			3.2	3.8	35	45	
S-3612APG10	InGaN	Pure Green	525			3.2	3.8	150	180	
S-3612AGF10	AlGaN	Yellow Green	573			2.0	2.4	38	45	