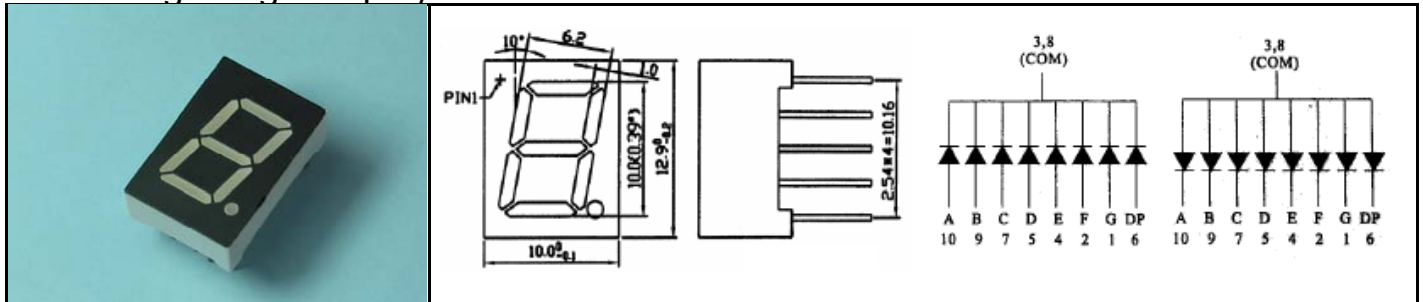


YETDA SINGLE DIGIT DISPLAY

Part Number	Chip			Face Color	Segment Color	VF (V)		Iv (mcd)		C.C. Or C.A.
	Material	Emitter Color	λ_D (nm)			at I _F =20mA		at I _F =20mA		
						Typ.	Max.	Min.	Typ.	

0.39" Single Digit Display

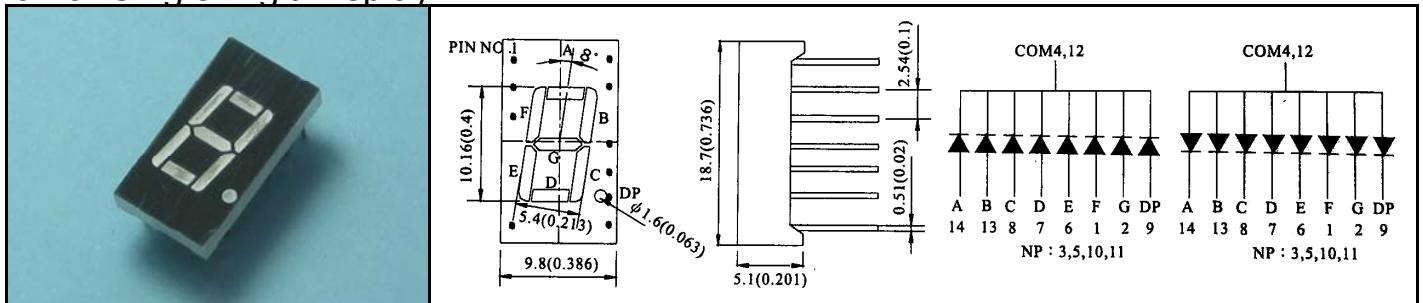
UNIT:mm/inch



S-3915ASK11	AlGaAs/GaAs	Red	660	Black	White	1.8	2.2	4	12	CC
S-3915AE11	GaAsP/GaP	Orange	620			2.1	2.6	6	10	
S-3915AGU11	GaP	Yellow Green	573			2.2	2.6	6	9	
S-3916AY10	GaAsP/GaP	Yellow	590	Black	Clear	2.1	2.6	6	12	CA
S-3916AB10	InGaN	Blue	470			3.2	3.8	35	45	
S-3916APG10	InGaN	Pure Green	525			3.2	3.8	150	180	
S-3916AGF10	AlGaInP	Yellow Green	573			2.0	2.4	38	45	

0.40" Single Digit Display

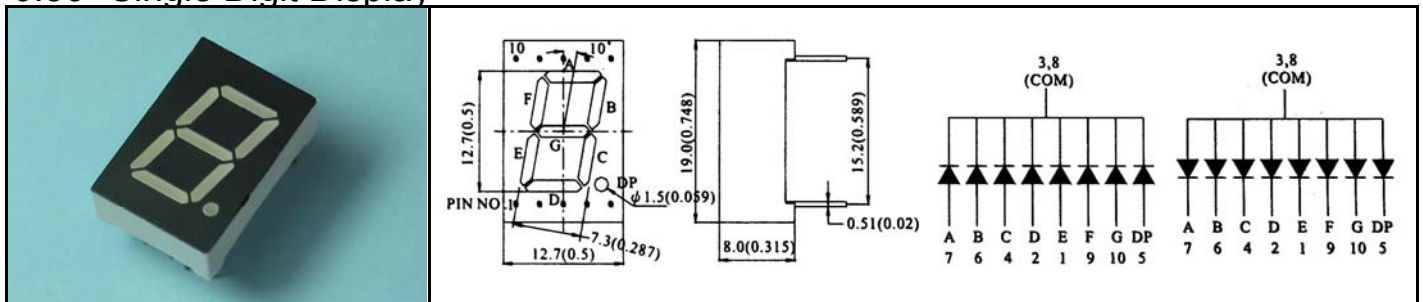
UNIT:mm/inch



S-4015BUF11	AlGaInP	Red	625	Black	White	2.0	2.4	50	60	CC
S-4015BE11	GaAsP/GaP	Orange	620			2.1	2.6	6	10	
S-4015BGF11	AlGaInP	Yellow Green	573			2.0	2.4	25	30	
S-4016BYF21	AlGaInP	Yellow	590	Grey	White	2.0	2.4	20	30	CA
S-4016BPG21	InGaN	Pure Green	525			3.2	3.8	150	180	
S-4016BB21	InGaN	Blue	470			3.2	3.8	35	45	
S-4016BW21	InGaN	White	X:0.29 Y:0.30			3.2	3.8	60	75	

0.50" Single Digit Display

UNIT:mm/inch



S-5011ASK11	AlGaAs/GaAs	Red	660	Black	White	1.8	2.2	4	12	CC
S-5011AE11	GaAsP/GaP	Orange	620			2.1	2.6	6	10	
S-5011AY11	GaAsP/GaP	Yellow	590			2.1	2.6	6	12	
S-5012AB10	InGaN	Blue	470	Black	Clear	3.2	3.8	35	45	CA
S-5012APG10	InGaN	Pure Green	525			3.2	3.8	150	180	
S-5012AYF10	AlGaInP	Yellow	590			2.0	2.4	30	45	
S-5012AGF10	AlGaInP	Yellow Green	573			2.0	2.4	38	45	